

SPEC SHEET

Brompton Extension Swing Arm

Item # RL 2500NB-L

Designer: Ralph Lauren

Height: 18.75"

Width: 14"

Extension: 22 - 36"

Backplate: 3" x 12" Rectangle

Finishes: BZ, NB, PN

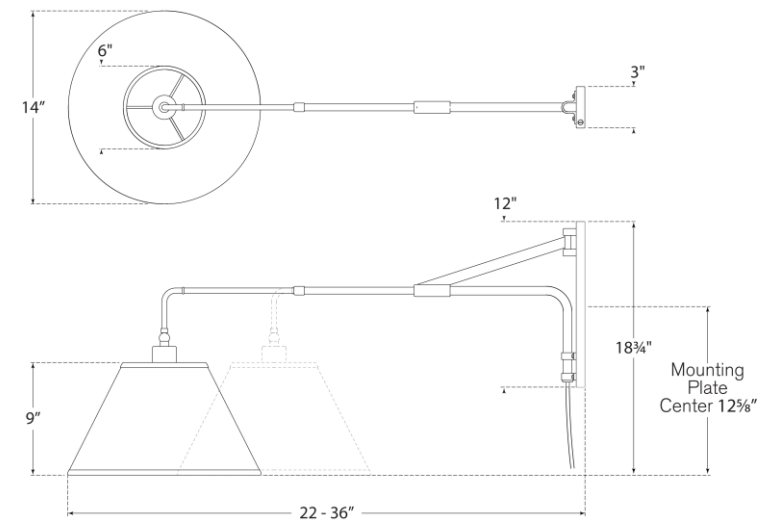
Shade Treatments: L

Shade Details: 6" x 14" x 9"

Socket: E26 Hi-Lo

Wattage: 100 A

Note: Portable Only / Cannot be Hard-Wired



circa LIGHTING®