

## SPEC SHEET



### Freeman Floor Lamp

Item # RL 1520IS

Designer: Ralph Lauren

Height: 46" - 73.5"

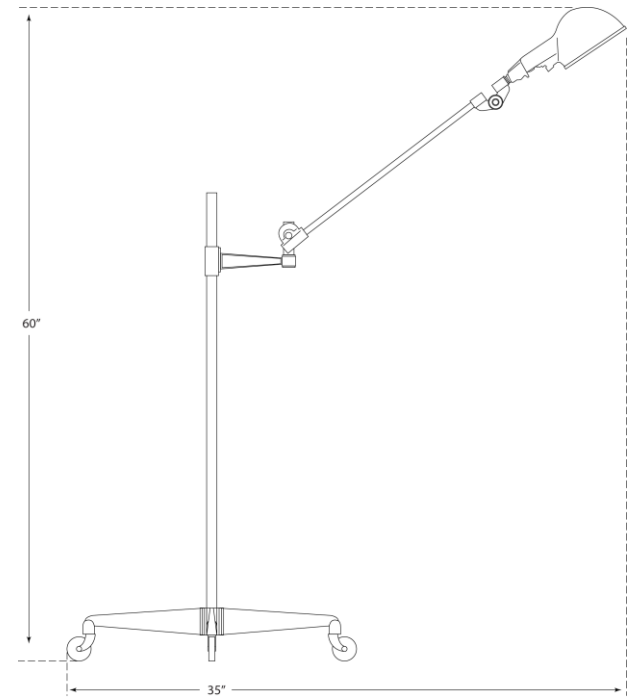
Extension: 35"

Base: 25" Tripod

Finishes: IS

Socket: E26 Dimmer

Wattage: 60 A



**circa** LIGHTING®