

SPEC SHEET

Fresno Medium 3/4 Wall Lantern

Item # CHO 2931AI-CG

Designer: Chapman & Myers

Height: 16"

Width: 6"

Extension: 6.75"

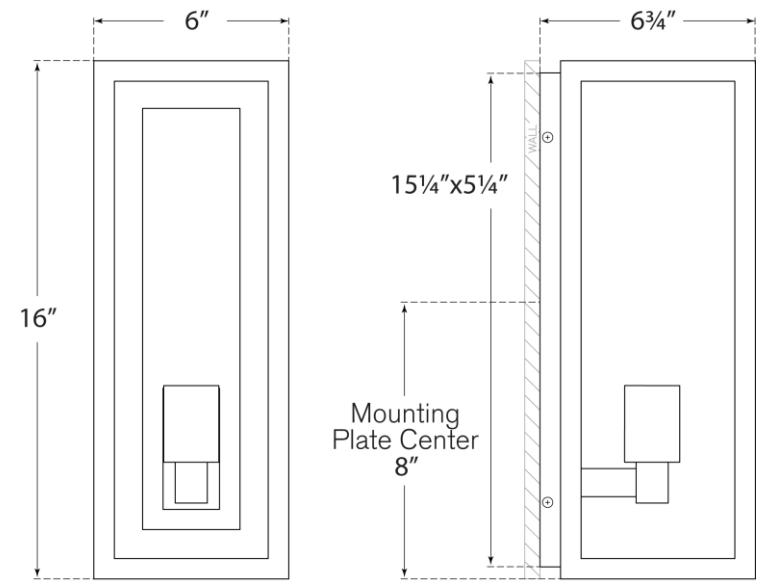
Backplate: 5" x 15" Rectangle

Finishes: AI

Glass Options: CG

Socket: E26 Keyless

Wattage: 60 T



Front View

Side View