

SPEC SHEET



Suffolk Small 3/4 Lantern

Item # CHO 2060NC

Designer: Chapman & Myers

Height: 12.25"

Width: 6.75"

Extension: 6"

Backplate: 5.5" x 5.25"

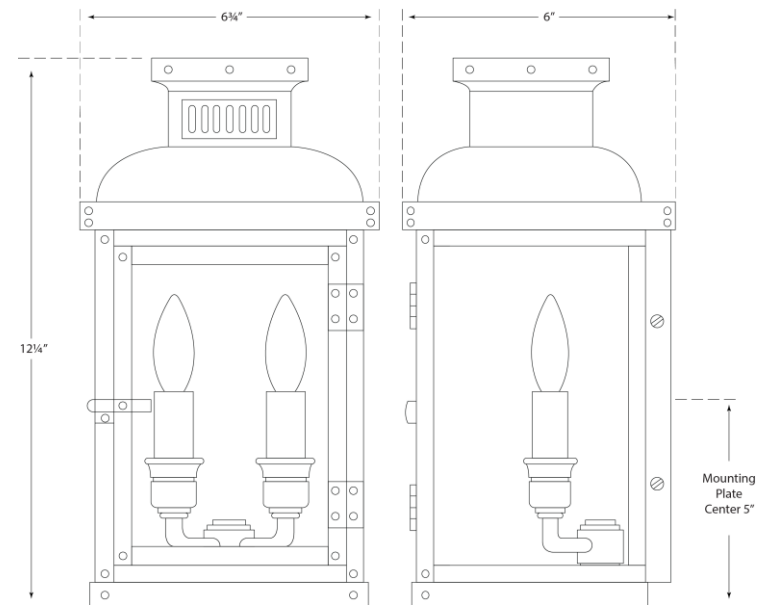
Finishes: NC

Glass Options: CG

Socket: 2 - E12 Candelabra

Wattage: 2 - 60 C

©EFC DESIGNS



circa LIGHTING®