

SPEC SHEET

Aiden Tail Sconce

Item # CHD 2505GI

Designer: Chapman & Myers

Height: 22.75"

Width: 4.5"

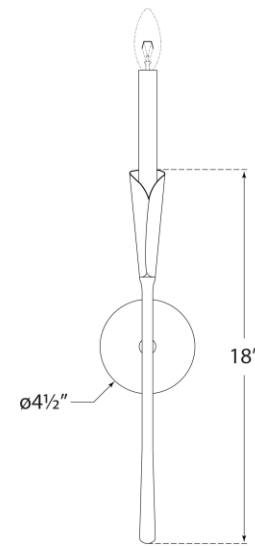
Extension: 3.5"

Backplate: 4.5" Round

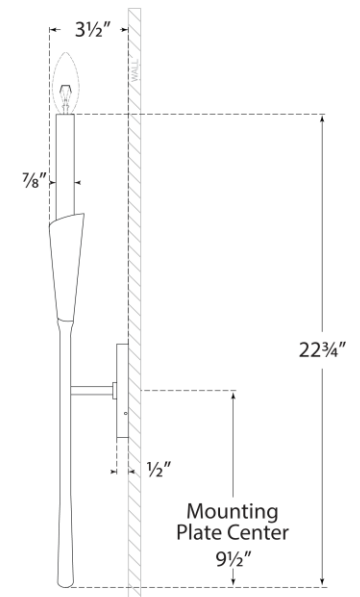
Finishes: AI, GI, PN

Socket: E12 Candelabra

Wattage: 60 C



Front View



Side View