

SPEC SHEET



Crown Top Banded Globe Lantern

Item # CHC 2111AB-CG

Designer: E. F. Chapman

Height: 21"

Width: 15"

Canopy: 5.5" Round

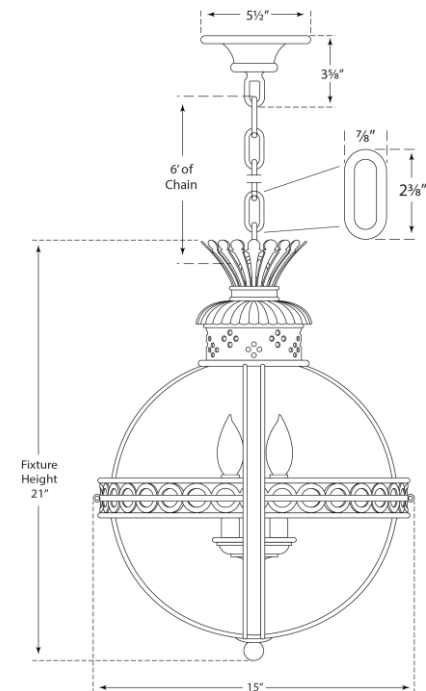
Finishes: AB, AW, BR, BZ/AB, WVG

Glass Options: CG, WG

Socket: 3 - E12 Candelabra

Wattage: 3 - 60 C

©EFC DESIGNS



circa LIGHTING®