



Rhonon Pendant

Item # 700MPRHNWWS

Designer: Tech Lighting

Specifications

Rated for (1) low-voltage, 50 watt max. lamp (Lamp Not Included). LED includes 12 volt 8 watt, 500 gross lumens, 3000K replaceable LED SORAA® module. Ships with six feet of field-cutable cable. Dimmable with low-voltage electronic or magnetic dimmer (based on the transformer).

Length: 4.3"

Width: 4.1"

Height: 11"

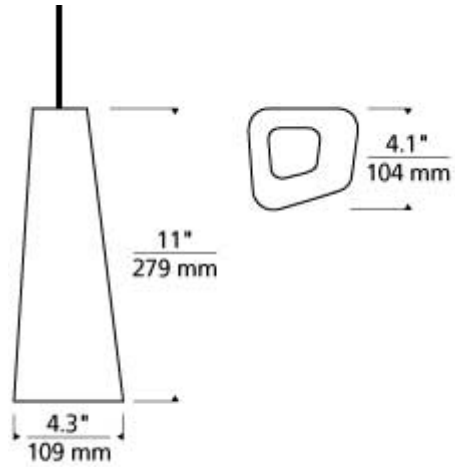
Features

Dimmable

Field-Cutable Cable

Available in LED

SPEC SHEET



Rhonon Pendant

Item # 700MPRHNWWS

Designer: Tech Lighting

Ordering Information

Finish

S - Satin Nickel

Z - Antique Bronze

Color

BB - Textured Black/Black

WW - Textured White/White