



Melrose II Pendant

Item # 700MPMLPCC

Designer: TL Studio

Specifications

Includes with 35 watt halogen bi-pin or 8 watt, 300 delivered lumen, 3000K, replaceable SORAA® LED module and six feet of field-cutable cable. Dimmable with low-voltage electronic or magnetic dimmer (based on the transformer).

Length: 7.3"

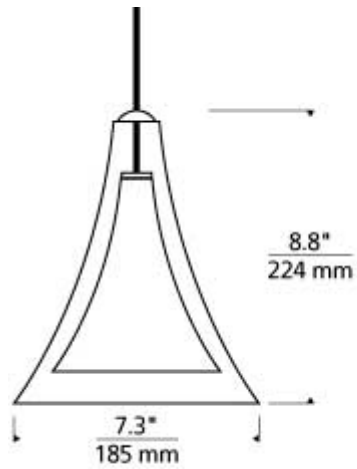
Width: 7.3"

Height: 8.8"

Features

Field-Cutable Cable

Available in LED



Melrose II Pendant

Item # 700MPMLPCC

Designer: TL Studio

Ordering Information

Finish

C - Chrome

Color

C - Clear

K - Smoke

Lamp Type

12 VOLT HALOGEN (T20)

-LEDS930 - 12 VOLT LED 90 CRI 3000K (T20/T24)