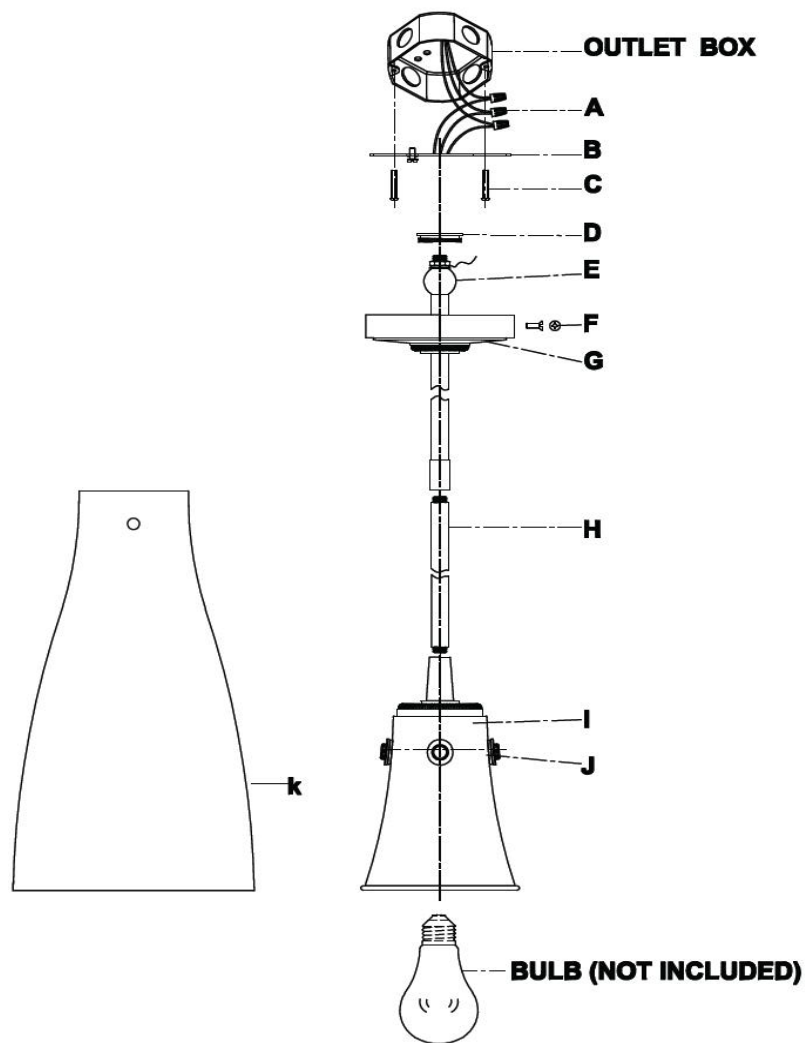


## ASSEMBLY INSTRUCTIONS



## Altare Small Pendant Item # TOB5742

WE RECOMMEND INSTALLATION OF THIS LIGHTING FIXTURE BE DONE BY A LICENSED ELECTRICIAN.

**WARNING\*\*\*SWITCH OFF THE MAIN ELECTRICAL SUPPLY FROM THE MAIN FUSE BOX/CIRCUIT BREAKER BEFORE INSTALLATION.**

INSPECT ITEM CAREFULLY BEFORE ATTEMPTING TO INSTALL. IF THERE IS ANY DAMAGE OR OBVIOUS DEFECT. DO NOT INSTALL.

ITEM MAY NOT BE RETURNED ONCE IT HAS BEEN INSTALLED.

**NOTE: CAREFULLY UNPACK EACH PIECE IN TOP LAYER OF PACKING PRIOR TO REMOVING. RETAIN ALL PACKING MATERIAL UNTILL INSPECTION AND INSTALLATION ARE FINAL.**

1. Carefully remove all parts from the box.
2. Screw off the mounting plate (B) from the canopy (G) by screws (F).
3. Thread off the metal cap (D) from the canopy (G).
4. Install the glass shade (K) into fixture (I) by knurled screws (J).
5. Thread the tube (H) to the tube on swivel ball (E).
6. Pass cord from fixture (I) through tube (H) and thread tube (H) to fixture (I).
7. Pass canopy (G) through the tube (H).
8. Pass cord through the metal cap (D) and thread metal cap (D) to canopy (G).
9. Install mounting plate (B) to the outlet box by screws (C).
10. Connect the ground wire from fixture (I) to the ground wire from ceiling box. .  
IT IS IMPERATIVE THAT THIS FIXTURE BE GROUNDED.
11. Connect the hot wire from fixture (I) to the hot wire from ceiling box using wire nuts (A).
12. Repeat this procedure for the neutral wire from the fixture to the neutral wire from ceiling box using wire nuts (A).
13. **DO NOT REVERSE THE HOT AND NEUTRAL CONNECTIONS OR SAFETY WILL BE COMPROMISED.**
14. Install the canopy (G) to the mounting plate (B) by screws (F).
15. Insert bulb (not included) into the socket of fixture (I).
16. Installation is complete, turn on power at fuse or circuit breaker.

\*\*\*Clean with a dry, soft cloth only. Use no harsh abrasives or chemical agents.

