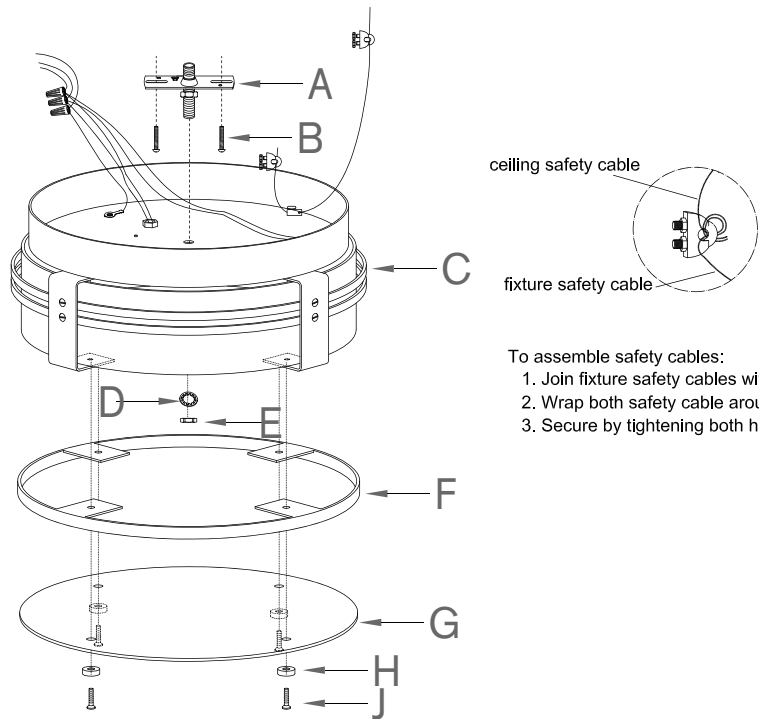


## ASSEMBLY INSTRUCTIONS



### To assemble safety cables:

1. Join fixture safety cables with safety cable from ceiling.
2. Wrap both safety cable around the cable lock nut.
3. Secure by tightening both hex nuts until tight.

## Metal Ted Ceiling Light

Item # TOB4003

**WE RECOMMEND INSTALLATION OF THIS LIGHTING FIXTURE BE DONE BY A LICENSED ELECTRICIAN.**

**WARNING \*\*\* SWITCH OFF THE MAIN ELECTRICAL SUPPLY FROM THE MAIN FUSE BOX/CIRCUIT BREAKER BEFORE INSTALLATION.**

**INSPECT ITEM CAREFULLY BEFORE ATTEMPTING TO INSTALL. IF THERE IS ANY DAMAGE OR OBVIOUS DEFECT, DO NOT INSTALL.**

**ITEM MAY NOT BE RETURNED ONCE IT HAS BEEN INSTALLED.**

1. Remove metal ring (F) from fixture base (C) by removing washer (H) and bolts (J).
2. Remove mounting strap (A) from base of light fixture (C) by removing washer (D) and nut (E).
3. Affix mounting strap (A) to ceiling outlet box with mounting screws (B) provided. Attach fixture steel safety cable to structural member in the ceiling. (Refer to the illustration)
4. Attach ground (green) wire to ground wire from wall outlet box (usually green or copper in color), fasten together with a plastic wire connector. Tighten wrap the wire connector with electrical tape. so the end of the connector is sealed. IT IS IMPERATIVE THAT THE OUTLET BOX IN YOUR HOME BE PROPERLY GROUNDED.
5. Connect neutral (white) fixture wire coming from fixture base to neutral (usually white) outlet wire. Fasten both wires together with a plastic wire connector and tightly wrap the wire connector with electrical tape.
6. Repeat the procedure with the hot (black) wires. Always make sure that no wire strands are left outside the connectors. DO NOT REVERSE THE HOT AND NEUTRAL CONNECTIONS OTHERWISE SAFETY WILL BE COMPROMISED.
7. Attach fixture base (C) to the affixed mounting plate (A), letting the rod on mounting plate (A) pass through the holes on fixture base (C) and secure with washer (D) and nut (E).
8. Insert light bulbs (not included) into sockets.
9. Replace metal ring (F) & glass panel (G) to fixture base (D) and secure with washers (H) bolts (J).