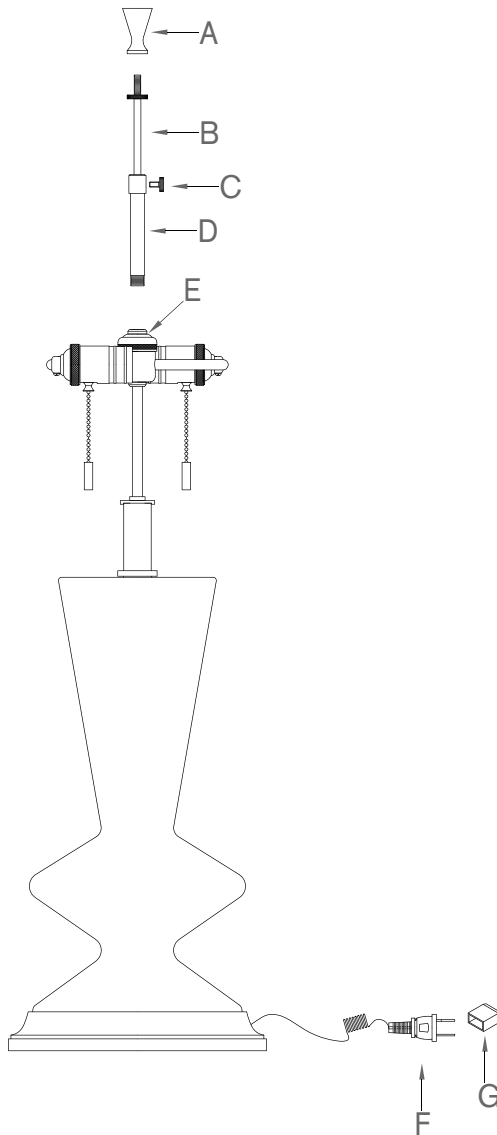


## ASSEMBLY INSTRUCTIONS

### Arpel Table Lamp Item # TOB3509

**INSPECT ITEM CAREFULLY BEFORE ATTEMPTING TO INSTALL. IF THERE IS ANY DAMAGE OR OBVIOUS DEFECT, DO NOT INSTALL.**

**ITEM MAY NOT BE RETURNED ONCE IT HAS BEEN INSTALLED.**



1. Carefully remove all parts from the carton.
2. Thread rod (D) into the top opening of (E), by turning clockwise direction.
3. Remove finial (A) from bolt attached on top of rod (B). Place lamp shade (not included) over the bolt attached on top of rod (B). Screw finial (A) onto the bolt to secure shade to the rod (B).
4. Insert the specified light bulbs into sockets.
5. Remove plastic cover (G) from electrical plug (F).
6. Plug lamp into wall outlet.

#### TO ADJUST:

1. Loosen the knob (C).
2. Adjust the rod (B) up or down to get desired height.
3. Tighten the knob (C).

\*\*\*Clean with a dry, soft cloth only. Use no harsh abrasives or chemical agents.