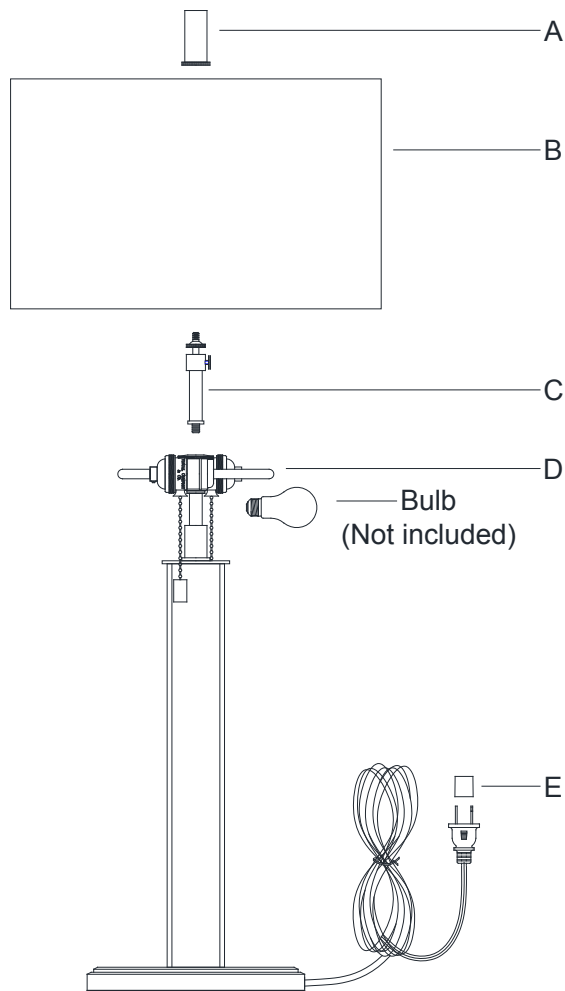


ASSEMBLY INSTRUCTIONS



Giselle Table Lamp

Item # TOB 3210

INSPECT ITEM CAREFULLY BEFORE ATTEMPTING TO INSTALL. IF THERE IS ANY DAMAGE OR OBVIOUS DEFECT. DO NOT INSTALL.

ITEM MAY NOT BE RETURNED ONCE IT HAS BEEN INSTALLED.

NOTE: CAREFULLY UNPACK EACH PIECE IN TOP LAYER OF PACKING PRIOR TO REMOVING. RETAIN ALL PACKING MATERIAL UNTIL INSPECTION AND INSTALLATION ARE FINAL.

-
1. Carefully remove all parts from the box.
 2. Screw the adjustable riser (C) to the top of lamp body.
 3. Remove the finial (A) from the adjustable riser (C).
 4. Place lampshade (B) to the assembled adjustable riser (C) and secure with finial (A).
 5. Insert bulbs (not included) into the sockets.
 6. Remove the plug cover (E) from the plug.
 7. Plug into a proper electrical outlet and test the fixture.
 8. Installation is complete.

***Clean with a dry, soft cloth only. Use no harsh abrasives or chemical agents.

