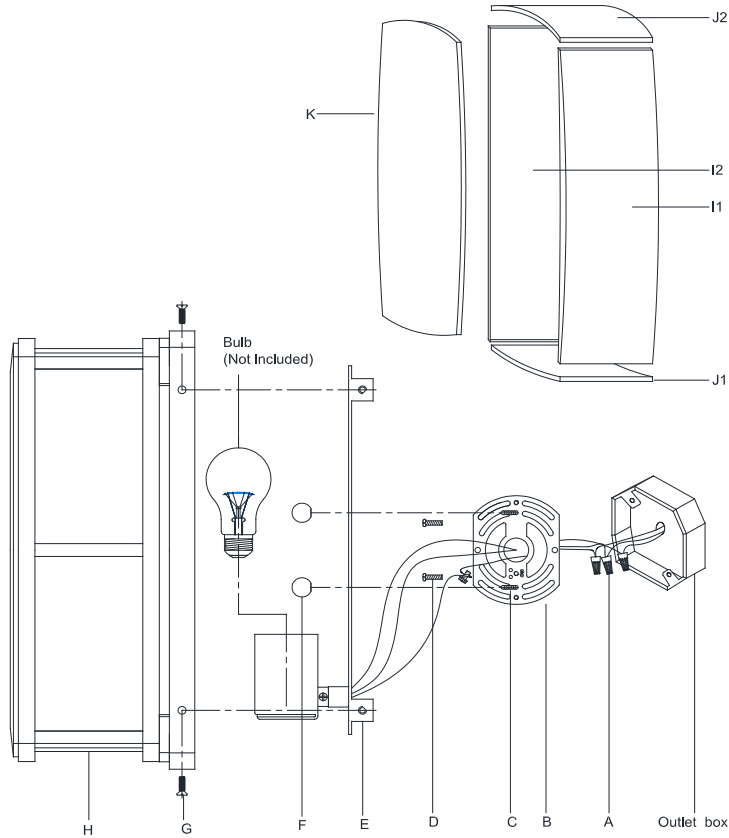


ASSEMBLY INSTRUCTIONS



Winston Narrow Sconce

Item # TOB 2074

WE RECOMMEND INSTALLATION OF THIS LIGHTING FIXTURE BE DONE BY A LICENSED ELECTRICIAN.

WARNING*SWITCH OFF THE MAIN ELECTRICAL SUPPLY FROM THE MAIN FUSE BOX/CIRCUIT BREAKER BEFORE INSTALLATION.**

INSPECT ITEM CAREFULLY BEFORE ATTEMPTING TO INSTALL. IF THERE IS ANY DAMAGE OR OBVIOUS DEFECT. DO NOT INSTALL.

ITEM MAY NOT BE RETURNED ONCE IT HAS BEEN INSTALLED.

NOTE: CAREFULLY UNPACK EACH PIECE IN TOP LAYER OF PACKING PRIOR TO REMOVING. RETAIN ALL PACKING MATERIAL UNTIL INSPECTION AND INSTALLATION ARE FINAL.

1. Carefully remove all parts from the box.
 2. Remove the back plate (E) from the fixture body (H) by loosening the side screws (G).
 3. Remove the mounting plate (B) from the back plate (E) by loosening the ball nuts (F).
 4. Install the glass panel (K) to the fixture body (H) by bending the tabs.
 5. Install the glass panels (I1 & I2) to the fixture body (H) by bending the tabs.
 6. Install the glass panels (J1 & J2) to the fixture body (H) by bending the tabs.
 7. Affix mounting plate (B) onto the outlet box and secure with mounting screws (D).
 8. Connect the hot wire (BLACK) from the fixture to the hot wire from the outlet box (usually BLACK). Fasten them together with a plastic wire connector (A) provided and wrap the connection with electrical tape.
 9. Connect the neutral wire (WHITE) from the fixture to the wire from the outlet box (usually WHITE).
- DO NOT REVERSE THE HOT AND NEUTRAL CONNECTIONS OR SAFETY WILL BE COMPROMISED.
10. Connect ground wire from the fixture (bare copper) to ground wire from the outlet box (usually green or copper in color).
- IT IS IMPERATIVE THAT THIS FIXTURE BE GROUNDED.
11. Attach the back plate (E) onto the mounting plate (B). Let screws (C) pass through the holes on the fixture then secure with ball nuts (F).
 12. Insert bulb (not included) into the socket.
 13. Attach the fixture body (H) to the back plate (E) and secure with side screws (G).
 14. Installation is complete, turn on power at fuse or circuit breaker.

***Clean with a dry, soft cloth only. Use no harsh abrasives or chemical agents.



VISUAL COMFORT & Co. Est. 1987