

Logan 2 Light Flush Mount

TF1002 1.0

GENERATION LIGHTING

Ceiling

GENERAL PRODUCT INFORMATION:

These fixtures are intended to be installed utilizing NEC compliant junction boxes.

This product is safety listed for damp locations.

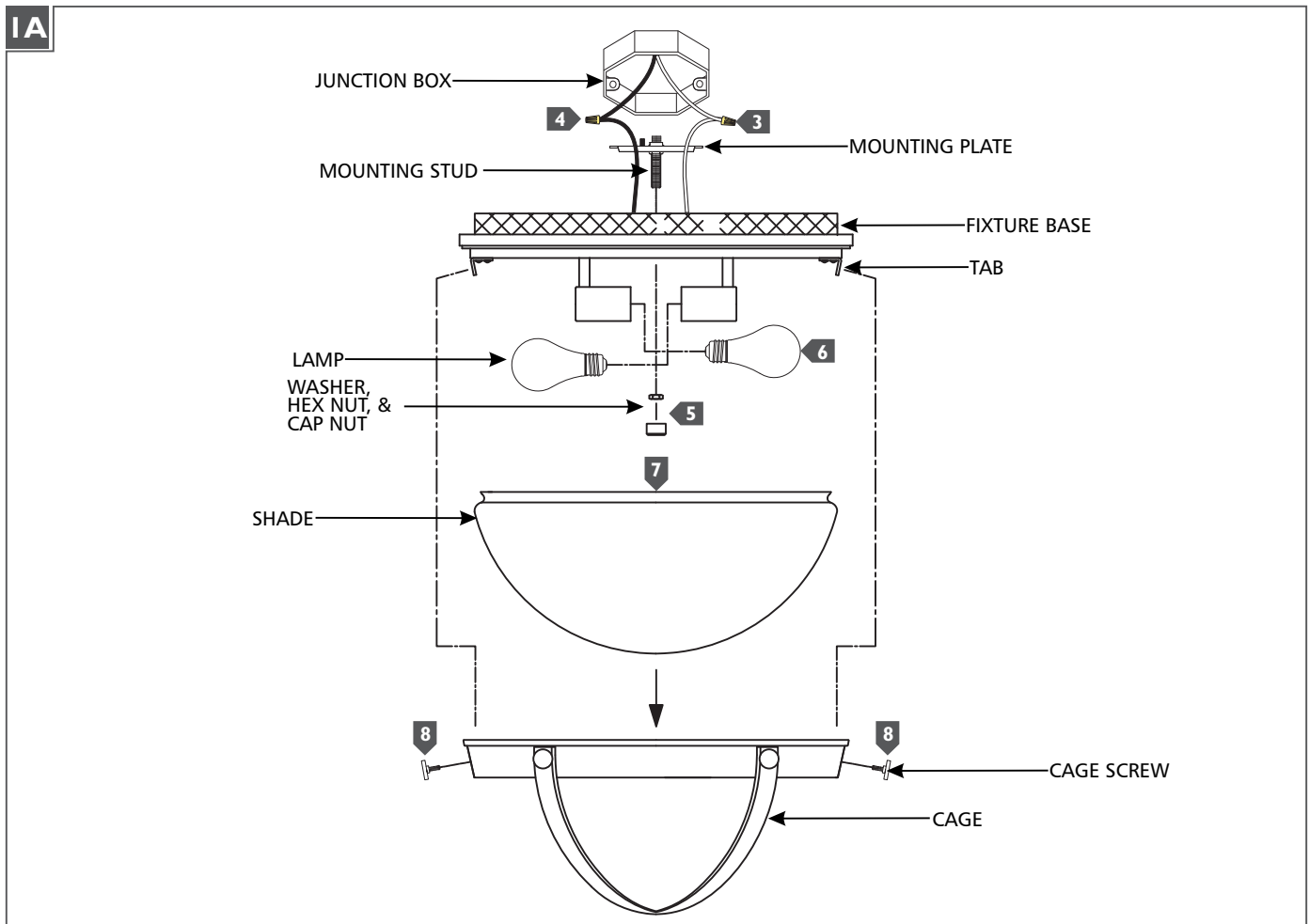
Incandescent lamps may be dimmed with a standard incandescent dimmer. LED lamps may be dimmed with a LED dimmer. Consult lamp manufacturer for additional information.

This instruction shows a typical installation.

CAUTION - RISK OF FIRE

This product must be installed in accordance with the applicable installation code by a person familiar with the construction and operation of the product and the hazards involved.

Use minimum 90°C supply conductors.



- 1** Secure the mounting plate to the junction box.
- 2** Connect the fixture to a suitable ground in accordance to local electrical codes.
- 3** Connect the white fixture wire (square and/or rigid) to the neutral power line wire with a wire nut.
- 4** Connect the black fixture wire (round and/or smooth) to the hot power line wire with a wire nut.
- 5** Neatly place all the wires into the junction box, place the fixture base and washer onto the threaded nipple, and secure them in place by screwing the hex nut onto the nipple followed by the cap nut.
- 6** Screw the lamps into the sockets. Refer to the label on the socket for Max Wattage Information.
- 7** Insert the shade into the cage.
- 8** Align the holes in the cage with the tabs and secure them together using the cage screws.

SAVE THESE INSTRUCTIONS!

GENERATION LIGHTING

7400 Linder Ave, Skokie, IL 160077

800.969.3347

www.generationlighting.com

© 2019 Generation Lighting. All rights reserved.

The "Generation Lighting" graphic is a registered trademark of Generation Lighting. Generation Lighting reserves the right to change specifications for product improvements without notification.