

ASSEMBLY INSTRUCTIONS

Right Angle Double Sconce

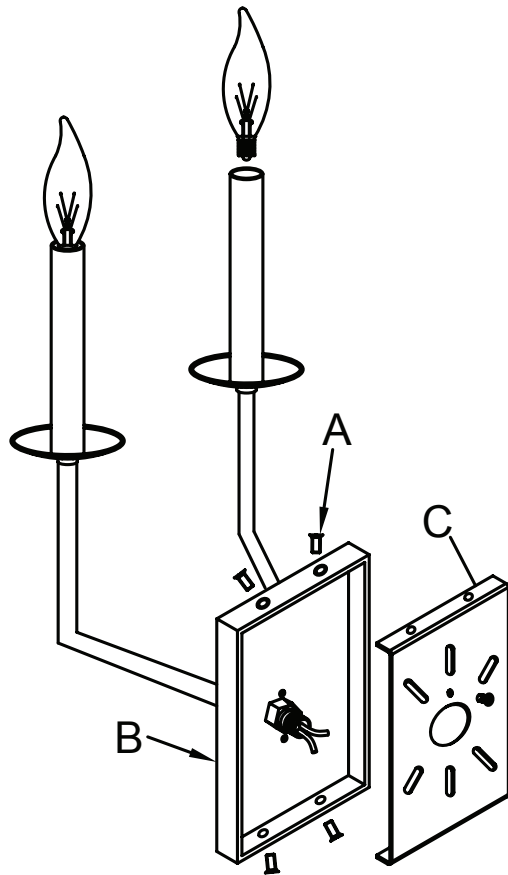
Item # SL2866

WE RECOMMEND INSTALLATION OF THIS LIGHTING FIXTURE BE DONE BY A LICENSED ELECTRICIAN.

WARNING * SWITCH OFF THE MAIN ELECTRICAL SUPPLY FROM THE MAIN FUSE BOX/CIRCUIT BREAKER BEFORE INSTALLATION.**

INSPECT ITEM CAREFULLY BEFORE ATTEMPTING TO INSTALL. IF THERE IS ANY DAMAGE OR OBVIOUS DEFECT, DO NOT INSTALL.

ITEM MAY NOT BE RETURNED ONCE IT HAS BEEN INSTALLED.



1. Take off the four mounting screws (A) from the back-plate (B).
2. Install (C) to the wall with wood screws or outlet box screws.
3. Connect the electrical wires making sure all wire nuts are secured. You may have to wrap the connections with electrical tape. If your junction has a ground wire (green or bare copper), connect the fixture's ground wire to it. Otherwise connect fixture's ground wire directly to the junction box.
4. Secure the fixture with the four mounting screws (A) to (C), then tighten them.
5. Insert light bulbs (not included) into sockets.
6. Return the power and test fixture.

