

SK5301

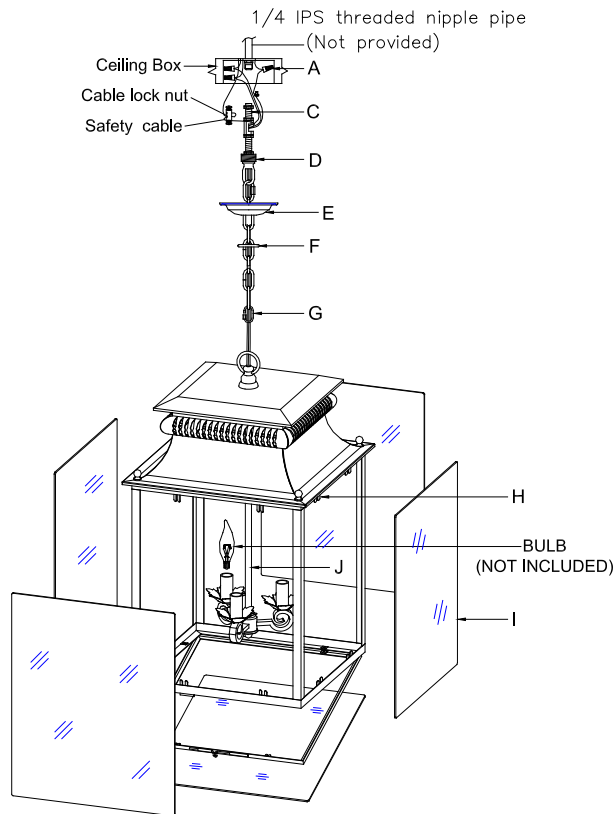
ASSEMBLY & INSTALLATION GUIDE

WE RECOMMEND INSTALLATION OF THIS LIGHTING FIXTURE BE DONE BY A LICENSED ELECTRICIAN.

WARNING * SWITCH OFF THE MAIN ELECTRICAL SUPPLY FROM THE MAIN FUSE BOX/CIRCUIT BREAKER BEFORE INSTALLATION.**

INSPECT ITEM CAREFULLY BEFORE ATTEMPTING TO INSTALL. IF THERE IS ANY DAMAGE OR OBVIOUS DEFECT, DO NOT INSTALL.

ITEM MAY NOT BE RETURNED ONCE IT HAS BEEN INSTALLED.



1. Carefully thread center rod(J) clockwise into fixture body. Thread lock collar(F) to secure canopy(E) to ceiling loop(D).
2. Using the dimensions of the fixture as a guide, shorten the chain(G) as needed using a pair of chain pliers.
3. Take into consideration that you will use the chain end link to mount the chandelier once you have removed the excess chain. Unscrew the threaded collar on the chain end link. Attach the chain to the ceiling loop(D). Close the threaded collar to secure the chain.
4. Install the glass panels(I) on to the lamp body by bending back the metal tab(H).
5. Unscrew the threaded collar on the other chain end link. Raise fixture body and attach chain end link to the top ring of fixture body, close the threaded collar to secure the fixture body.
6. Unwrap the wiring from the top of the fixture body. Weave the power supply cord and the ground wire through the chain(G). When you reach the canopy and ceiling loop, measure the wires and cut. Be certain to leave enough to connect inside the canopy. Strip the insulation back on the two power supply wires about 5/8".
7. Twist the power supply and ground wires together and push through the center hole in the ceiling loop.
8. Loosen canopy(E) and slip down the chain carefully. Connect the Ground (bare) fixture wire with the ground (usually bare) wire from your ceiling box using wire nut(A). If your house does not have ground wire, then attach this wire to the green grounding screw inside of outlet box.
9. IT IS IMPERATIVE THAT THIS FIXTURE BE GROUNDED.
10. Connect the Neutral (ribbed edge, no markings, or white) fixture wire with the Neutral (usually white) wire from your ceiling box using wire nut(A).
11. Connect the Hot (smooth edge, markings, or black) fixture wire with the Hot (usually black) wire from your outlet box using wire nut(A).
12. Tuck these wire connections neatly into the outlet box.
13. Thread the lock collar(F) to secure canopy(E) to ceiling loop(D).
14. Install the light bulbs(not included) into sockets.
15. Assembly is complete.