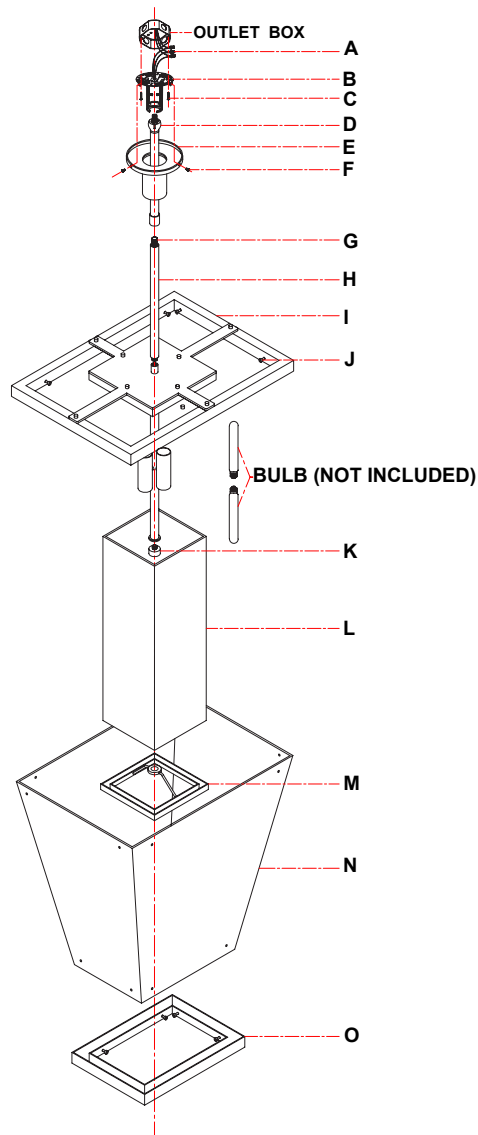


ASSEMBLY INSTRUCTIONS



Marin Medium Hanging Pendant

Item # SC5020

WE RECOMMEND INSTALLATION OF THIS LIGHTING FIXTURE BE DONE BY A LICENSED ELECTRICIAN.

WARNING * SWITCH OFF THE MAIN ELECTRICAL SUPPLY FROM THE MAIN FUSE BOX/CIRCUIT BREAKER BEFORE INSTALLATION.**

INSPECT ITEM CAREFULLY BEFORE ATTEMPTING TO INSTALL. IF THERE IS ANY DAMAGE OR OBVIOUS DEFECT, DO NOT INSTALL.

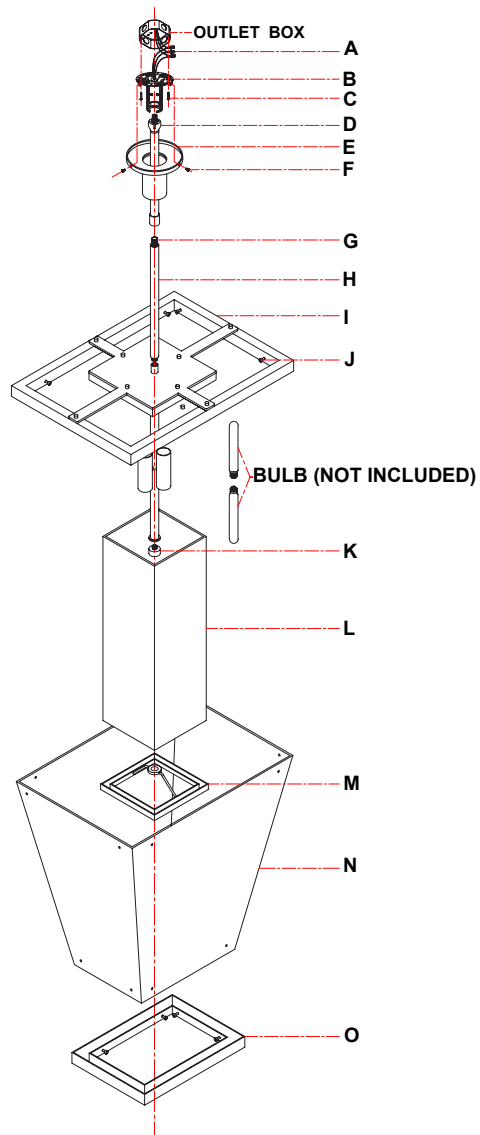
ITEM MAY NOT BE RETURNED ONCE IT HAS BEEN INSTALLED.

1. Unscrew the finial (K) from sockets cluster tube
2. Install square white glass (L) into the bracket (M) and secure sockets cluster tube into lower bracket (M) with finial (K).
3. Install trapezoid clear glass (N) into the lower bracket (O) and secure with screws (J).
4. Install the upper bracket (I) into the trapezoid clear glass (N) and secure with screws (J).
5. Unwrap the wiring from the top of the fixture body and let wire go through pipe (H) and pipe (D).
6. Thread the tube (H) to the sockets cluster tube.
7. Thread the tube (D) to tube (H).
8. Let canopy (E) go through the tube (D).
9. Remove the mounting plate (B) from canopy (E) by loosening the side screws (F).
10. Install the mounting plate (B) to the outlet box with mounting screws (C) provided.
11. Hang up the assembled fixture body to the mounting plate (B).
12. Connect the fixture ground (bare) wire with the ground wire from the outlet box using Wire nuts (A). If your house does not have ground wire, then attach this wire to the green Grounding screw inside of the outlet box. IT IS IMPERATIVE THAT THIS FIXTURE BE GROUNDED.
13. Connect the fixture Neutral wire (ribbed, no markings) with the neutral wire from the Outlet box using wire nuts (A).
14. Connect the fixture Hot (smooth edge, markings) wire with the hot wire from the outlet Box using wire nuts (A). DO NOT REVERSE THE HOT AND NEUTRAL CONNECTIONS OR SAFETY WILL BE COMPROMISED.



VISUAL COMFORT & Co. Est. 1987

ASSEMBLY INSTRUCTIONS



Marin Medium Hanging Pendant

Item # SC5020

WE RECOMMEND INSTALLATION OF THIS LIGHTING FIXTURE BE DONE BY A LICENSED ELECTRICIAN.

WARNING * SWITCH OFF THE MAIN ELECTRICAL SUPPLY FROM THE MAIN FUSE BOX/CIRCUIT BREAKER BEFORE INSTALLATION.**

INSPECT ITEM CAREFULLY BEFORE ATTEMPTING TO INSTALL. IF THERE IS ANY DAMAGE OR OBVIOUS DEFECT, DO NOT INSTALL.

ITEM MAY NOT BE RETURNED ONCE IT HAS BEEN INSTALLED.

15. Tuck these wire connections neatly into the outlet box to secure.
16. Put canopy (E) to the mounting plate (B), and secure with side screws (D)..
17. Insert bulbs (not included) into the sockets.
18. Installation is complete, turn on power at fuse or circuit breaker.

