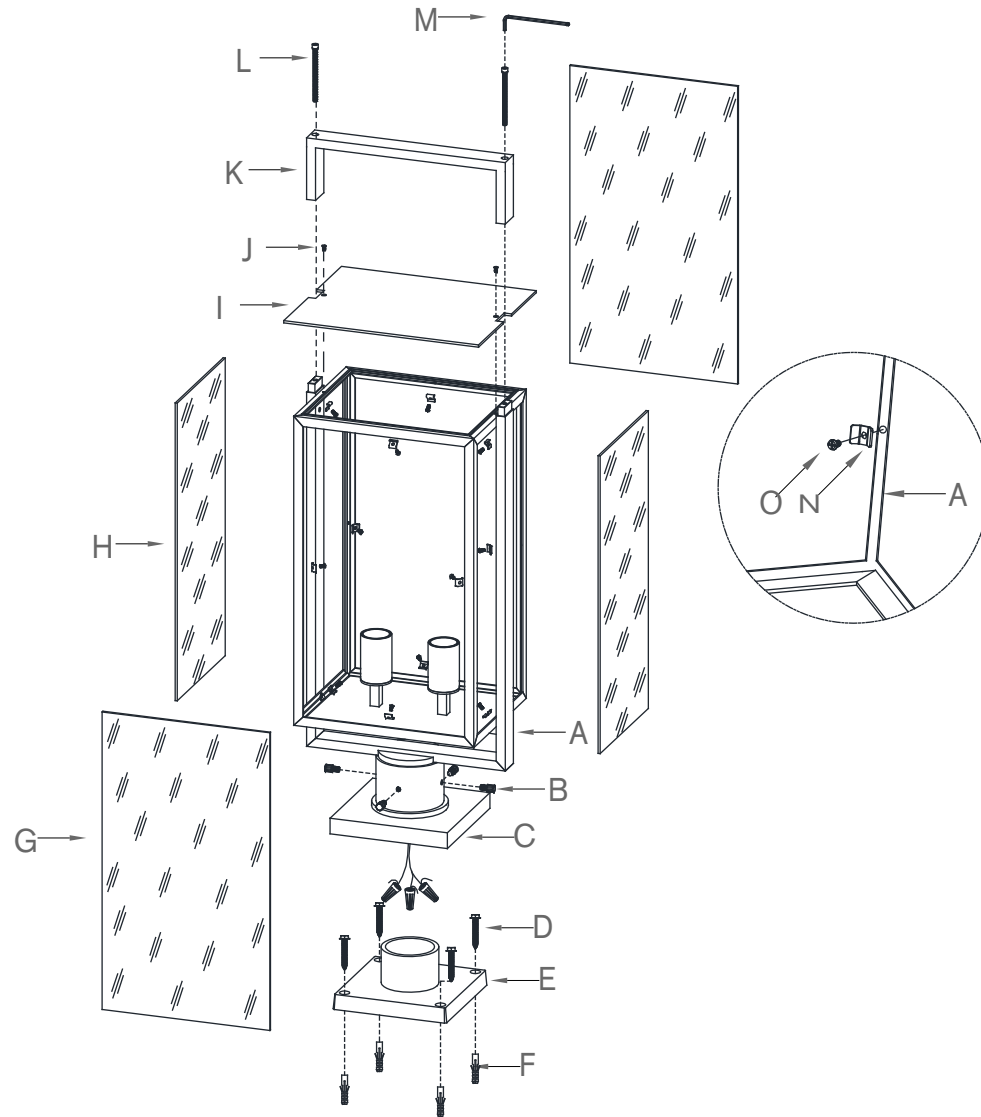


ASSEMBLY INSTRUCTIONS



Halle Medium Post Lantern

Item # S 7191

WE RECOMMEND INSTALLATION OF THIS LIGHTING FIXTURE BE DONE BY A LICENSED ELECTRICIAN.

WARNING * SWITCH OFF THE MAIN ELECTRICAL SUPPLY FROM THE MAIN FUSE BOX/CIRCUIT BREAKER BEFORE INSTALLATION.**

INSPECT ITEM CAREFULLY BEFORE ATTEMPTING TO INSTALL. IF THERE IS ANY DAMAGE OR OBVIOUS DEFECT, DO NOT INSTALL.

ITEM MAY NOT BE RETURNED ONCE IT HAS BEEN INSTALLED.

- Carefully remove all parts from the carton.
- Position lamp holder (E) on the outlet box. Mark center points for four holes with a pencil on the wall. Remove lamp holder (E).
- Drill small holes on each point location on the wall, each hole should be large enough to accommodate to the plastic anchor (F). Push plastic anchors (F) into the holes in the wall.
- Letting the wood screws (D) pass through the holes on lamp holder (E) and screw them into the plastic anchors (F) until tight.
- Remove the bracket (K) from top of lantern box (A) by removing bolts (L) using Allen wrench (M) provided.
- Remove the metal plate (I) from lantern box (A) by removing set screws (J).
- Remove metal tabs (N) by removing screws (O), install glass panels (G) to the front and back frame of lantern box (A), insert glass panels (H) to the left and right frame of lantern box (A) and secure with metal tabs (N) and screws (O).
- Insert light bulbs (not included) into the sockets.
- Replace metal plate (I) to lantern box (A) and secure with set screws (J).
- Replace the bracket (K) to the top of lantern box (A) and secure with bolts (L). Tighten with Allen wrench (M).
- Connect neutral (white) fixture wire coming from fixture base to neutral (usually white) outlet wire. Fasten both wires together with a plastic wire connector and tightly wrap the wire connector with electrical tape.
- Repeat the procedure with the hot (black) wires. Always make sure that no wire strands are left outside the connectors. **DO NOT REVERSE THE HOT AND NEUTRAL CONNECTIONS OTHERWISE SAFETY WILL BE COMPROMISED.**
- Wire the base (C) of lantern to outlet and secure the lantern box by loosening/tightening the bolts (B).
- INSTRUCTIONS FOR MOUNTING FIXTURE OUTDOORS AND/OR IN WET LOCATION:**
 - Mounting surface should be clean, dry, flat and 1/4" larger than canopy/fixture base on all sides. Any gaps between the mounting surface and fixture base exceeding 3/16" should be corrected as required.
 - With silicone (ex. GE-108) caulking compound, caulk completely around where back of canopy/fixture base meets the wall surface to prevent water from seeping into outlet box. **TO AVOID WATER ENTERING THE FIXTURE BASE FROM THE SIDE OF FIXTURE, THIS FIXTURE MUST BE MOUNTED ABOVE 1.2M (4 FT) FROM GROUND.**

*** Clean with a dry, soft cloth only. Use no harsh abrasives or chemical agents.