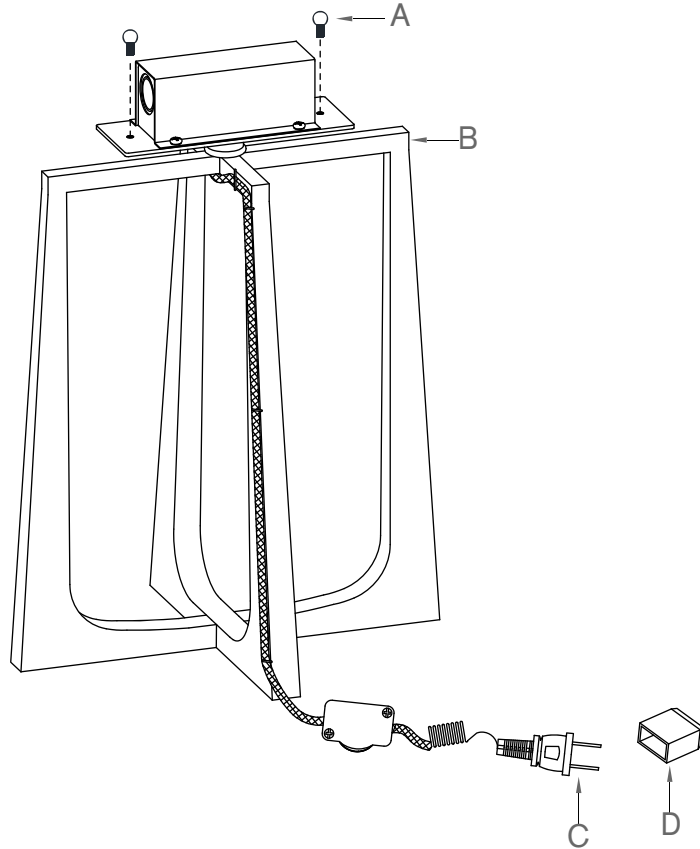


ASSEMBLY INSTRUCTIONS

Scala Hand-Forged Bedside Lamp
Item # S3514



INSPECT ITEM CAREFULLY BEFORE ATTEMPTING TO INSTALL. IF THERE IS ANY DAMAGE OR OBVIOUS DEFECT, DO NOT INSTALL.

ITEM MAY NOT BE RETURNED ONCE IT HAS BEEN INSTALLED.

1. Carefully remove all parts from the carton.
2. Remove ballknobs (A) from fixture body (B), attach shade (packed separately) onto fixture body (B) by aligning the holes and secure with ballknobs (A).
3. Insert light bulb into socket.
4. Remove protective plastic (D) from electrical plug (C).
5. Plug lamp into wall outlet.

***Clean with a dry, soft cloth only. Use no harsh abrasives or chemical agents.