

ASSEMBLY INSTRUCTIONS

Kassel Double Sconce

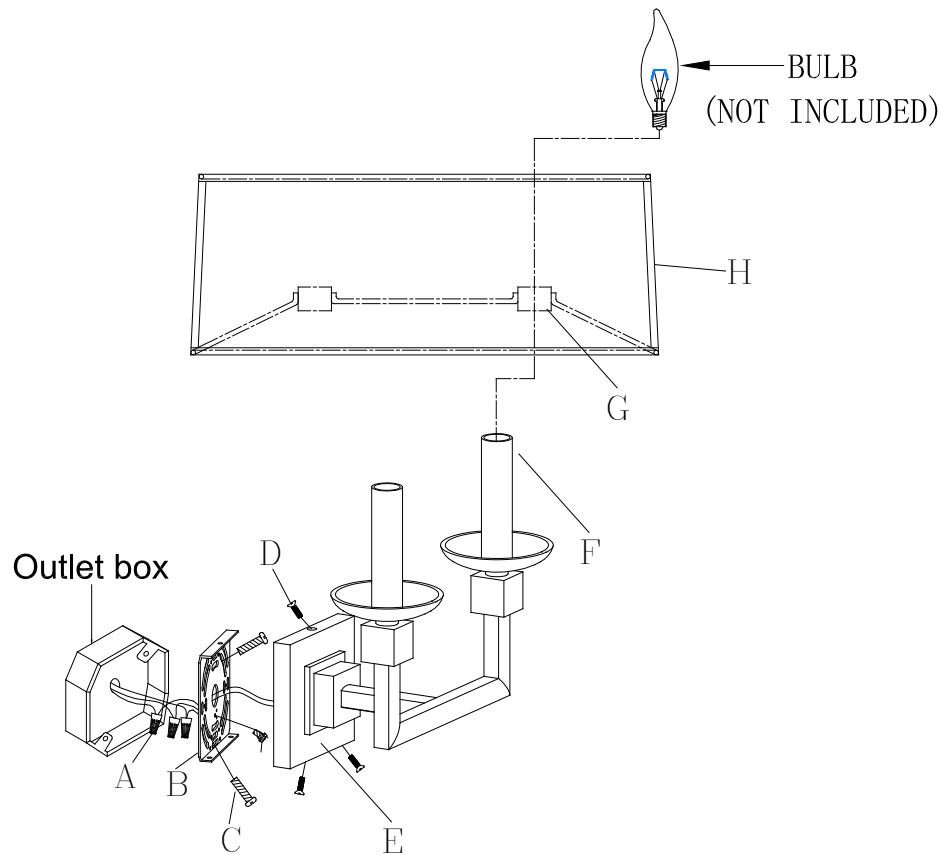
Item # S2108

WE RECOMMEND INSTALLATION OF THIS LIGHTING FIXTURE BE DONE BY A LICENSED ELECTRICIAN.

WARNING * SWITCH OFF THE MAIN ELECTRICAL SUPPLY FROM THE MAIN FUSE BOX/CIRCUIT BREAKER BEFORE INSTALLATION.**

INSPECT ITEM CAREFULLY BEFORE ATTEMPTING TO INSTALL. IF THERE IS ANY DAMAGE OR OBVIOUS DEFECT, DO NOT INSTALL.

ITEM MAY NOT BE RETURNED ONCE IT HAS BEEN INSTALLED.



1. Carefully remove mounting plate (B) from the back plate (E) by removing side screws (D).
2. Secure mounting plate (B) to the outlet box using the two mounting screws (C).
3. Attach the ground wire from the fixture to the ground wire from the building using the provided wire nut (A).
IT IS IMPERATIVE THAT THE OUTLET BOX IN YOUR HOME BE PROPERLY GROUNDED.
4. Attach the common wire (ribbed, no words) from the fixture to the white wire from the building using the provided wire nut (A).
5. Attach the hot wire (smooth, with words) from the fixture to the black wire from the building with the provided wire nut (A).
6. Secure each connection by tightening and then checking that no wires can be pulled out.
DO NOT MIX THESE WIRES, OR SAFETY WILL BE COMPROMISED.
7. Carefully tuck the wires inside the outlet box.
8. Secure back plate (E) onto mounting plate (B) by using side screws (D).
9. Insert bulb (not included) into socket.
10. Put the shade (H) on the socket by putting metal ring (G) to candle (F).
11. Installation is complete, turn on power at fuse or circuit breaker.

Clean with a dry, soft cloth only. Use no harsh abrasives or chemical agents.



VISUAL COMFORT & Co. Est. 1987