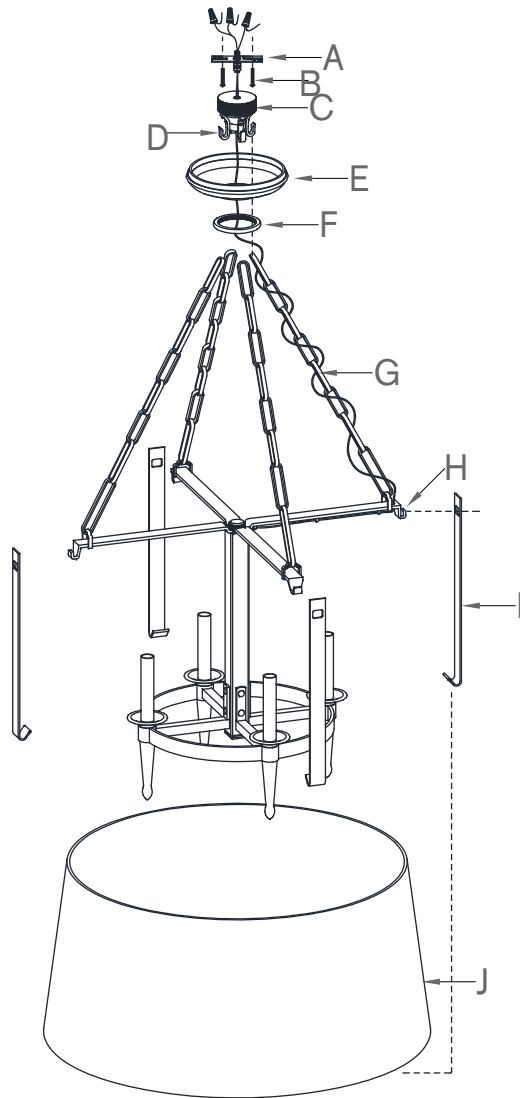


RL5748

ASSEMBLY & INSTALLATION GUIDE



INSPECT ITEM CAREFULLY BEFORE ATTEMPTING TO INSTALL. IF THERE IS ANY DAMAGE OR OBVIOUS DEFECT, DO NOT INSTALL.

ITEM MAY NOT BE RETURNED ONCE IT HAS BEEN INSTALLED.

1. Carefully remove all parts from the carton.
2. Hook the top end of connection bars (I) onto the hook racks (H), the bottom end of connection bars (I) to the bottom of shade (J).
3. Hook chains (G) to the hook rack (D) on mounting loop (C).
4. Feed wire through chain (G) and chain mounting loop (C).
5. Unscrew canopy ring (F), slide canopy (E) and canopy ring (F) on chains (G).
6. Attach mounting strap (A) to ceiling outlet box and secure with mounting screws (B).
7. Attach chain mounting loop (C) to thread nipple in center of mounting strap (A).
8. Attach the bare copper ground from the fixture to the ground junction box wire (usually green or copper), fasten together with a plastic wire connector. Tighten wrap the wire connector with electrical tape. Be sure no wire strands are exposed. **IT IS IMPERATIVE THAT THE OUTLET BOX IN YOUR HOME BE PROPERLY GROUNDED.**
9. Connect neutral wire from fixture (ribbed molded wire) to the neutral wire from the junction box (usually white). Fasten both wires together with a plastic wire connector and tightly wrap the wire connector with electrical tape. Be sure no wire strands are exposed.
10. Connect the hot wires from the fixture (smooth wire) to the hot wire (usually black) from the junction box. Fasten each together with a plastic wire connector and wrap the connection with electrical tape. **DO NOT REVERSE THE HOT AND NEUTRAL CONNECTIONS OTHERWISE SAFETY WILL BE COMPROMISED.**
11. Tuck wire connections neatly into ceiling outlet box.
12. Slip canopy (E) to ceiling and secure with canopy ring (F).
13. Insert light bulbs into sockets.
14. Restore power and test fixture. Installation is complete.

*** Clean with a dry, soft cloth only. Use no harsh abrasives or chemical agents.