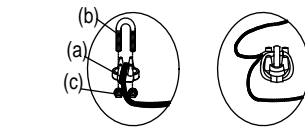
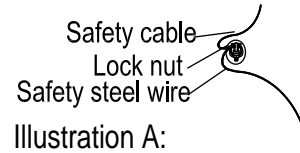
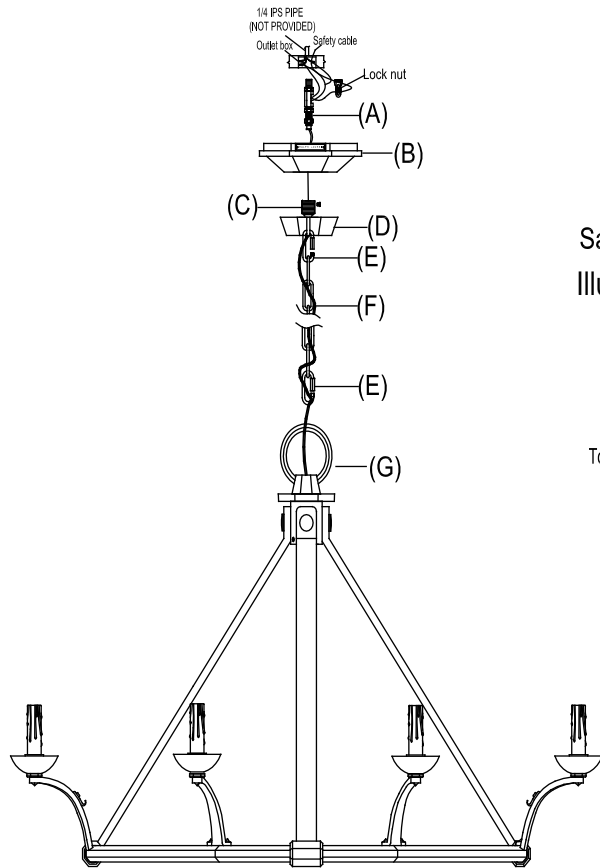


RL5540

ASSEMBLY & INSTALLATION GUIDE



To assemble safety cables:

1. Join fixture safety cables with safety cable from ceiling.
2. Wrap both safety cable around the lock nut (a).
3. Insert clip (b) into both holes on lock nut (a), secure with nuts (c).
4. Push the lock nut into outlet box.

WE RECOMMEND INSTALLATION OF THIS LIGHTING FIXTURE BE DONE BY A LICENSED ELECTRICIAN.

WARNING * SWITCH OFF THE MAIN ELECTRICAL SUPPLY FROM THE MAIN FUSE BOX/CIRCUIT BREAKER BEFORE INSTALLATION.**

INSPECT ITEM CAREFULLY BEFORE ATTEMPTING TO INSTALL. IF THERE IS ANY DAMAGE OR OBVIOUS DEFECT, DO NOT INSTALL.

ITEM MAY NOT BE RETURNED ONCE IT HAS BEEN INSTALLED.

1. Carefully remove all parts from the carton.
2. Open the quick link (E) on one end of the chain (F) and attach to top loop on center hub (G).
3. Determine correct length of chain for desired hanging height. Using pliers, open chain link and remove unnecessary chain.
4. Open the quick link (E) on other of chain (F) and connect to mounting loop (C).
5. Unscrewing the canopy ring (D) from chain mounting loop (C) and slide canopy (B) and canopy ring (D) on chain.
6. Connect the safety steel wire from the fixture and the safety cable from ceiling with lock nut. (See illustration A).
7. Attach chain mounting loop (C) to thread nipple (A) using the ceiling loop screw.
8. Gently pull outlet box wires to hang.
9. Thread wire from center hub (G) through chain, and into the hole in the center of canopy (B).
10. With another person supporting the weight of the fixture, connect the electrical wires to the outlet box wires as shown in Fig.1.
11. Wrap all connections in electrical tape for additional protection.
12. Tuck all wires neatly into the electrical box.
13. Insert top thread nipple (A) in mounting 1/4 IPS PIPE.
14. Slip canopy (B) to ceiling and secure with threaded canopy ring (D).
15. Insert light bulbs into the sockets.
16. Reconnect power and test operation of fixture.
17. Installation is now complete.

*** Clean with a dry, soft cloth only. Use no harsh abrasives or chemical agents.

