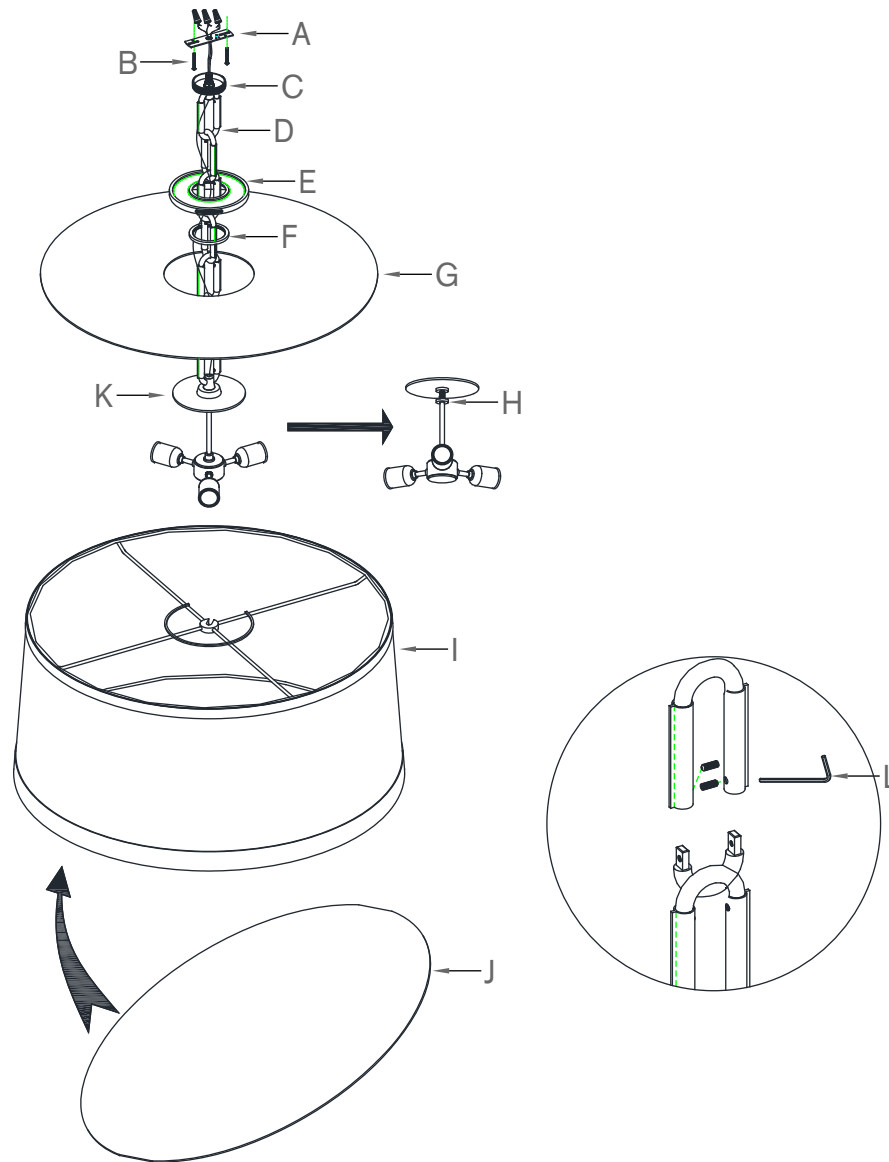


# RL5533

## ASSEMBLY & INSTALLATION GUIDE



**WE RECOMMEND INSTALLATION OF THIS LIGHTING FIXTURE BE DONE BY A LICENSED ELECTRICIAN.**

**WARNING \*\*\* SWITCH OFF THE MAIN ELECTRICAL SUPPLY FROM THE MAIN FUSE BOX/CIRCUIT BREAKER BEFORE INSTALLATION.**

**INSPECT ITEM CAREFULLY BEFORE ATTEMPTING TO INSTALL. IF THERE IS ANY DAMAGE OR OBVIOUS DEFECT, DO NOT INSTALL.**

**ITEM MAY NOT BE RETURNED ONCE IT HAS BEEN INSTALLED.**

1. Carefully remove all parts from the carton.
2. Place shade cover (G) on top of socket assembly (K).
3. Unscrew canopy ring (F), slide canopy ring (F) and canopy (E) on chain (D).
4. Feed the wires through the chain (D), canopy ring (F), canopy (E) and mounting loop (C).
5. Screw mounting strap (A) onto the center nipple on mounting loop (C) by turning in a clockwise direction until tight.
6. Attach mounting strap (A) with light fixture to ceiling outlet box and secure with mounting screws (B) provided.
7. Attach the bare copper ground from the fixture to the ground junction box wire (usually green or copper), fasten together with a plastic wire connector. Tightly wrap the wire connector with electrical tape. Be sure no wire strands are exposed. IT IS IMPERATIVE THAT THE OUTLET BOX IN YOUR HOME BE PROPERLY GROUNDED.
8. Connect neutral wire from fixture (ribbed molded wire) to the neutral wire from the junction box (usually white). Fasten both wires together with a plastic wire connector and tightly wrap the wire connector with electrical tape. Be sure no wire strands are exposed.
9. Connect the hot wires from the fixture (smooth wire) to the hot wire (usually black) from the junction box. Fasten both wires together with a plastic wire connector and wrap the connection with electrical tape. DO NOT REVERSE THE HOT AND NEUTRAL CONNECTIONS OTHERWISE SAFETY WILL BE COMPROMISED.
10. Tuck the wire connections neatly into the ceiling outlet box.
11. Slip canopy (E) to the affixed mounting strap (A) and secure with canopy ring (F).
12. Attach shade (K) to the stem of socket assembly (K) and secure by tightening the lock ring (H).
13. Insert light bulbs (not included) into sockets.
14. Insert diffuser (J) into the bottom of shade (I).
15. Restore power and test fixture. Installation is complete.

**TO ADJUST THE HEIGHT:**

1. Separate the chain by removing the inner screws using Allen wrench (L).
2. Adjust the hanging height by adding more chains or removing some chains.
3. Retighten the chain by tightening the inner screws using Allen wrench (L).

\*\*\* Clean with a dry, soft cloth only. Use no harsh abrasives or chemical agents.



# RALPH LAUREN