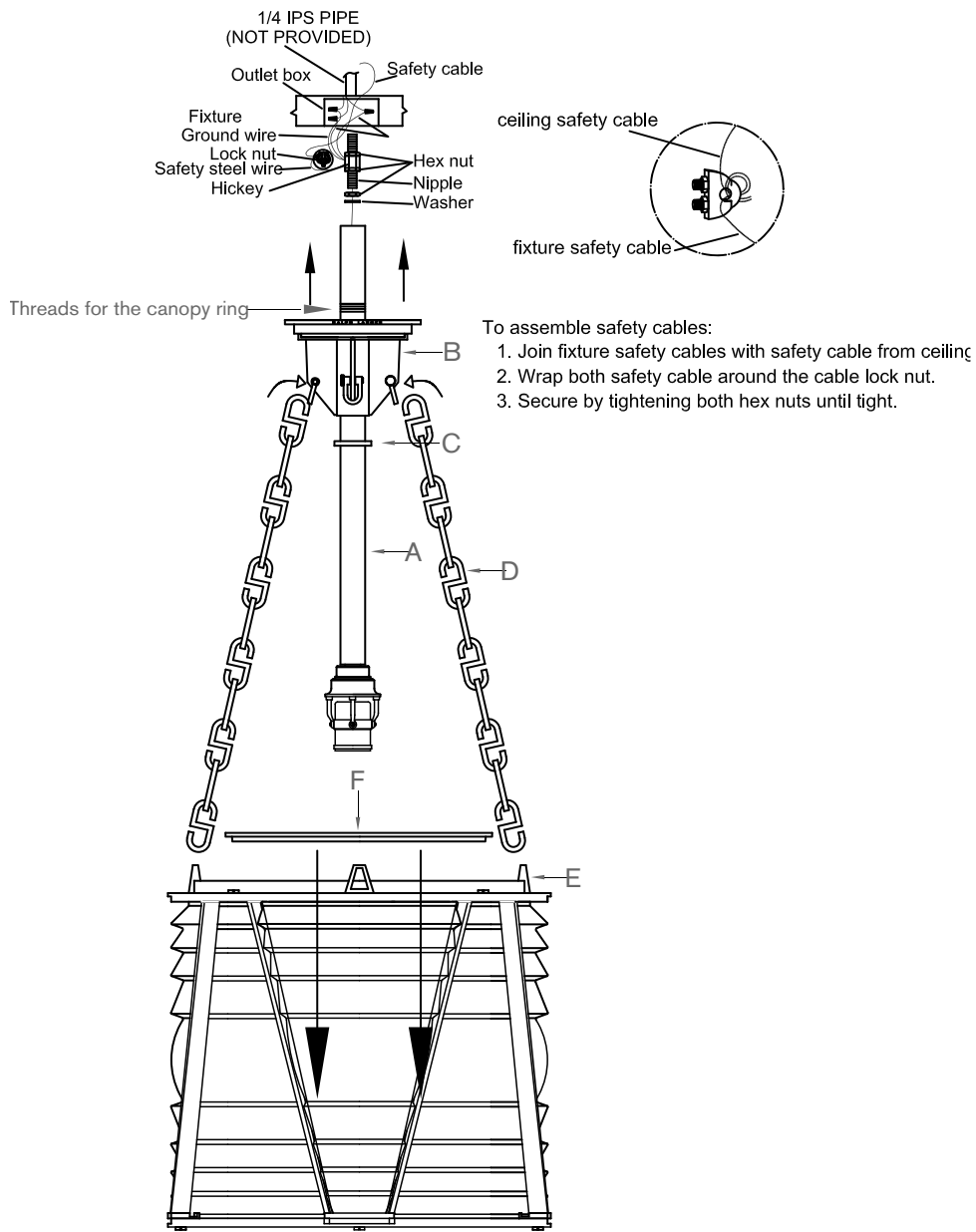


ASSEMBLY INSTRUCTIONS



Chatham Large Pendant

Item # RL5148

WE RECOMMEND INSTALLATION OF THIS LIGHTING FIXTURE BE DONE BY A LICENSED ELECTRICIAN.

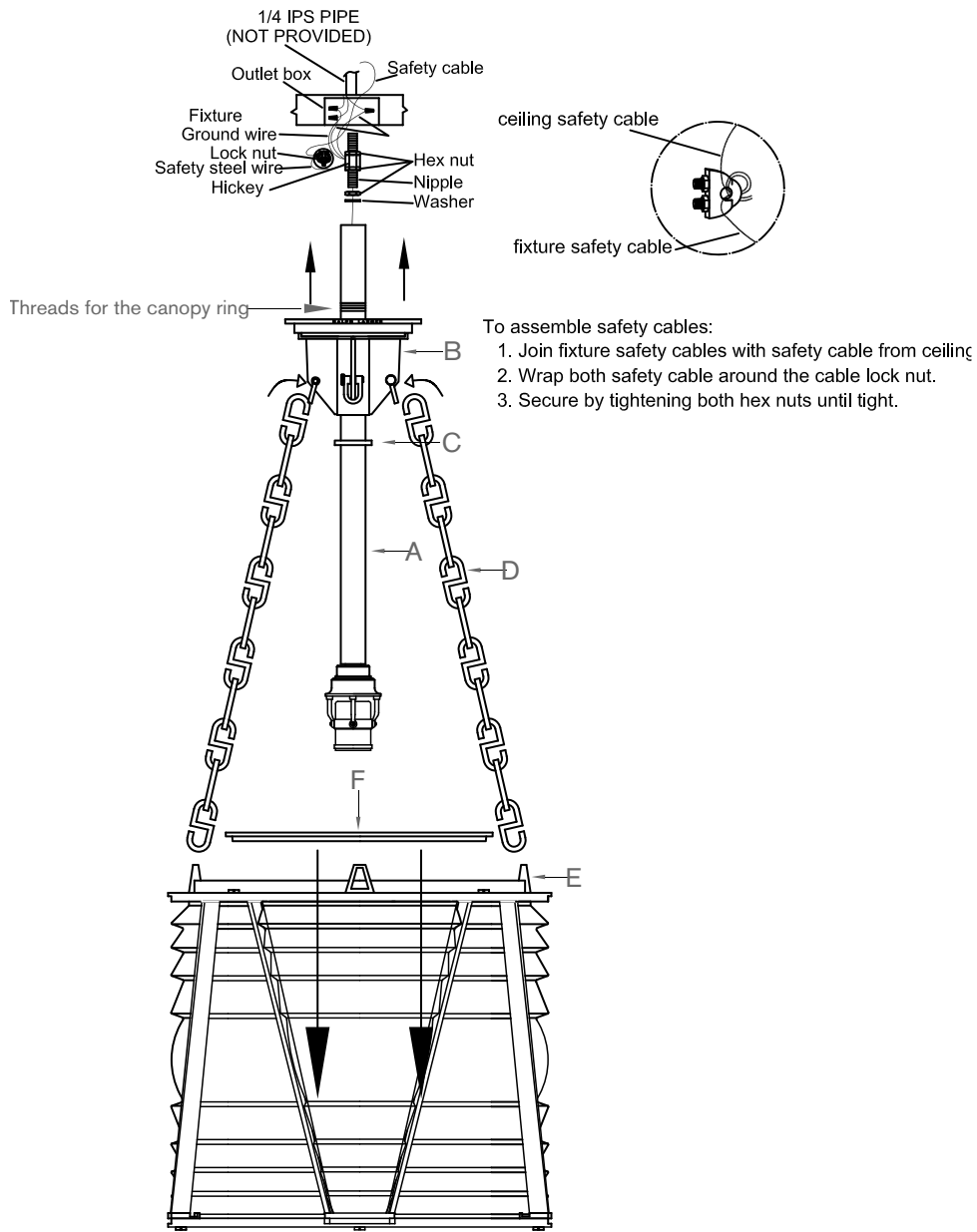
WARNING * SWITCH OFF THE MAIN ELECTRICAL SUPPLY FROM THE MAIN FUSE BOX/CIRCUIT BREAKER BEFORE INSTALLATION.**

INSPECT ITEM CAREFULLY BEFORE ATTEMPTING TO INSTALL. IF THERE IS ANY DAMAGE OR OBVIOUS DEFECT, DO NOT INSTALL.

ITEM MAY NOT BE RETURNED ONCE IT HAS BEEN INSTALLED.

1. Provide a 1/4" IPS pipe with one end securely mounted to beam or a structural. The other end should protrude through the center of the outlet box as shown.
2. Carefully insert glass diffuser (F) into the bottom opening of the lantern box.
3. Attach four chains (D) to top loops (E) by opening/closing end link of chain.
4. Attach four chains (D) to the corresponding loops at side of canopy (B) by opening/closing end link of chain.
5. Unscrewing canopy ring (C) and slide canopy ring (C) and canopy (B) on lamp pole (A).
6. Insert top threaded nipple in mounting 1/4 IPS pipe.
7. Lace the fixture wires, ground wires and safety cable through the lamp pole (A), exiting through the side of hickey. Run the safety cable through the top of the outlet box and secure to structural member.
8. Attach fixture steel safety cable to structural member in the ceiling.
9. Attach the bare copper ground from the fixture to the ground junction box wire (usually green or copper), fasten together with a plastic wire connector. Tighten wrap the wire connector with electrical tape. Be sure no wire strands are exposed.
IT IS IMPERATIVE THAT THE OUTLET BOX IN YOUR HOME BE PROPERLY GROUNDED.
10. Connect neutral wire from fixture (ridges molded wire) to the neutral wire from the junction box (usually white). Fasten both wires together with a plastic wire connector and tightly wrap the wire connector with electrical tape. Be sure no wire strands are exposed.

ASSEMBLY INSTRUCTIONS



Chatham Large Pendant

Item # RL5148

WE RECOMMEND INSTALLATION OF THIS LIGHTING FIXTURE BE DONE BY A LICENSED ELECTRICIAN.

WARNING * SWITCH OFF THE MAIN ELECTRICAL SUPPLY FROM THE MAIN FUSE BOX/CIRCUIT BREAKER BEFORE INSTALLATION.**

INSPECT ITEM CAREFULLY BEFORE ATTEMPTING TO INSTALL. IF THERE IS ANY DAMAGE OR OBVIOUS DEFECT, DO NOT INSTALL.

ITEM MAY NOT BE RETURNED ONCE IT HAS BEEN INSTALLED.

11. Connect the hot wires from the fixture (smooth wire) to the hot wire (usually black) from the junction box. Fasten each together with a plastic wire connector and wrap the connection with electrical tape. DO NOT REVERSE THE HOT AND NEUTRAL CONNECTIONS OTHERWISE SAFETY WILL BE COMPROMISED.
12. Tuck wire connections neatly into ceiling outlet box.
13. Slip canopy (B) to ceiling and secure with canopy ring (C).
14. Insert light bulb (not included) Type T, maximum 60 watt into socket.
15. Restore power and test fixture. Installation is complete.

*** Clean with a dry, soft cloth only. Do not use harsh abrasives or chemical agents.