

## ASSEMBLY INSTRUCTIONS

## Grant Medium Flush Mount

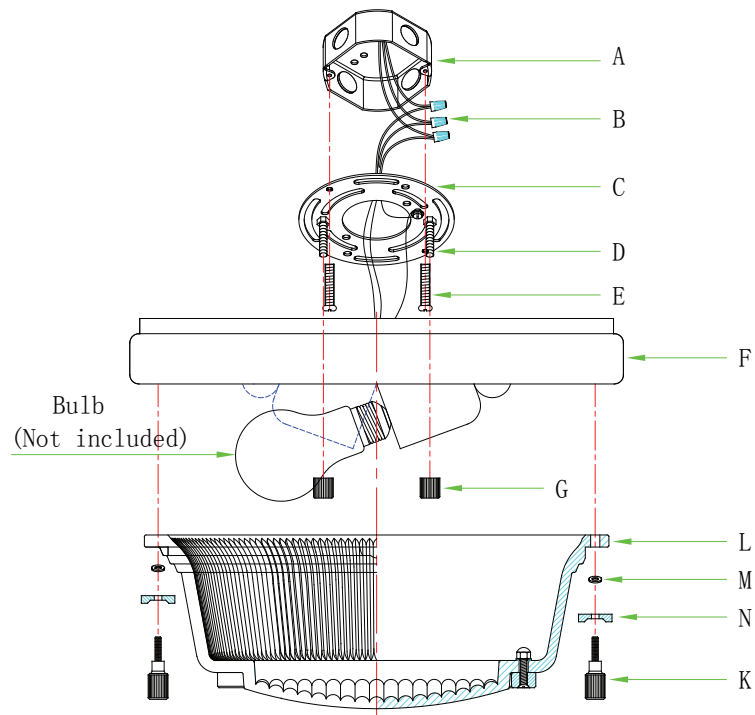
Item # RL4124

**WE RECOMMEND INSTALLATION OF THIS LIGHTING FIXTURE BE DONE BY A LICENSED ELECTRICIAN.**

**WARNING \*\*\* SWITCH OFF THE MAIN ELECTRICAL SUPPLY FROM THE MAIN FUSE BOX/CIRCUIT BREAKER BEFORE INSTALLATION.**

**INSPECT ITEM CAREFULLY BEFORE ATTEMPTING TO INSTALL. IF THERE IS ANY DAMAGE OR OBVIOUS DEFECT, DO NOT INSTALL.**

**ITEM MAY NOT BE RETURNED ONCE IT HAS BEEN INSTALLED.**



1. Carefully remove all parts from box.
2. Remove mounting plate (C) from fixture base (F) by unscrewing ball nuts (G).
3. Affix mounting plate (C) onto ceiling outlet box (A) and secure with mounting screws (E).
4. Connect ground wire from the light fixture (GREEN or bare copper) to ground wire from ceiling outlet box (A) (usually green or copper in color).
5. Connect the hot wire from the fixture (BLACK) to the hot wire from ceiling outlet box (A) (usually BLACK). Fasten them together with a plastic wire connector (B) and wrap connection with electrical tape.
6. Repeat this procedure for the WHITE neutral wire from the light fixture to the wire from ceiling outlet box (A) (usually WHITE). DO NOT REVERSE THE HOT AND NEUTRAL CONNECTIONS, OTHERWISE SAFETY WILL BE COMPROMISED.
7. Attach fixture base (F) to affixed mounting plate (C), letting rods (D) on mounting plate (C) pass through the holes on fixture base (F), and secure with ball nuts (G).
8. Insert light bulbs into sockets. To avoid the risk of fire, do not exceed the recommended wattage.
9. Attach the shade (L) to the fixture base (F) and secure with plastic washer (M) and brass washer (N) and finial (K).
10. Restore power to outlet box and test fixture.
11. Installation is complete.



# RALPH LAUREN