

# RL4114 ASSEMBLY & INSTALLATION GUIDE

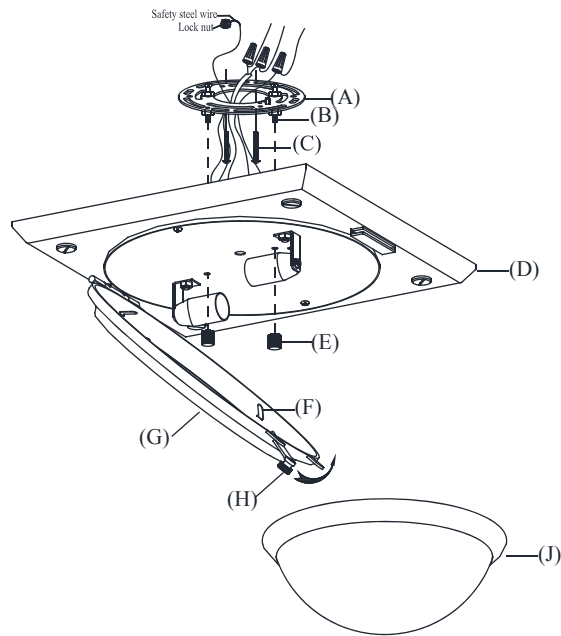
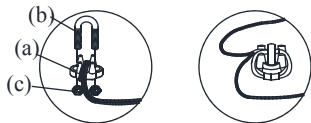


Illustration A:



To assemble safety cables:

1. Join fixture safety cables with safety cable from ceiling.
2. Wrap both safety cable around the lock nut (a).
3. Insert clip (b) into both holes on lock nut (a), secure with nuts (c).
4. Push the lock nut into outlet box.

**WE RECOMMEND INSTALLATION OF THIS LIGHTING FIXTURE BE DONE BY A LICENSED ELECTRICIAN.**

**WARNING \*\*\* SWITCH OFF THE MAIN ELECTRICAL SUPPLY FROM THE MAIN FUSE BOX/CIRCUIT BREAKER BEFORE INSTALLATION.**

**INSPECT ITEM CAREFULLY BEFORE ATTEMPTING TO INSTALL. IF THERE IS ANY DAMAGE OR OBVIOUS DEFECT, DO NOT INSTALL.**

**ITEM MAY NOT BE RETURNED ONCE IT HAS BEEN INSTALLED.**

1. Remove shade cover (G) from fixture base (D) by loosen lock pin (H).
2. Remove mounting plate (A) from fixture base (D) by unscrewing cap nuts (E).
3. Affix mounting plate (A) onto ceiling outlet box and secure with mounting screws (C).
4. Connect ground wire from the light fixture (bare copper) to ground wire green or copper in color).
5. Fasten together with a plastic wire connector provided and tightly wrap the wire from ceiling outlet box (usually connector with electrical tape so the end of the connector is sealed.

IT IS IMPERATIVE THAT THE OUTLET BOX IN YOUR HOME BE PROPERLY GROUNDED.

6. Connect both hot wires (smooth wire) from the fixture to the hot junction box wire from ceiling outlet box (usually BLACK).
7. Fasten together with a plastic wire connector provided and tightly wrap wire connector with electrical tape.
8. Repeat this procedure for the neutral wires (ribbed wire) from the light fixture to the wire from ceiling outlet box (usually WHITE).
9. (usually WHITE).

DO NOT REVERSE THE HOT AND NEUTRAL CONNECTIONS OTHERWISE SAFETY WILL BE COMPROMISED.

10. To install shade (J) into shade cover (G), make sure metal tabs (F) are flipped against the shade cover (G), insert shade (J) into shade cover (G) and secure by bending back the metal tabs (F) towards the shade.
11. Attach fixture base (D) to affixed mounting plate (A), letting rods (B) on mounting plate (A) pass through the holes on fixture base (D) and secure with cap nuts (E).
12. Insert light bulbs into sockets.
13. Replace shade cover (G) with shade (J) to fixture base (D) and secure by locking the lock pin.