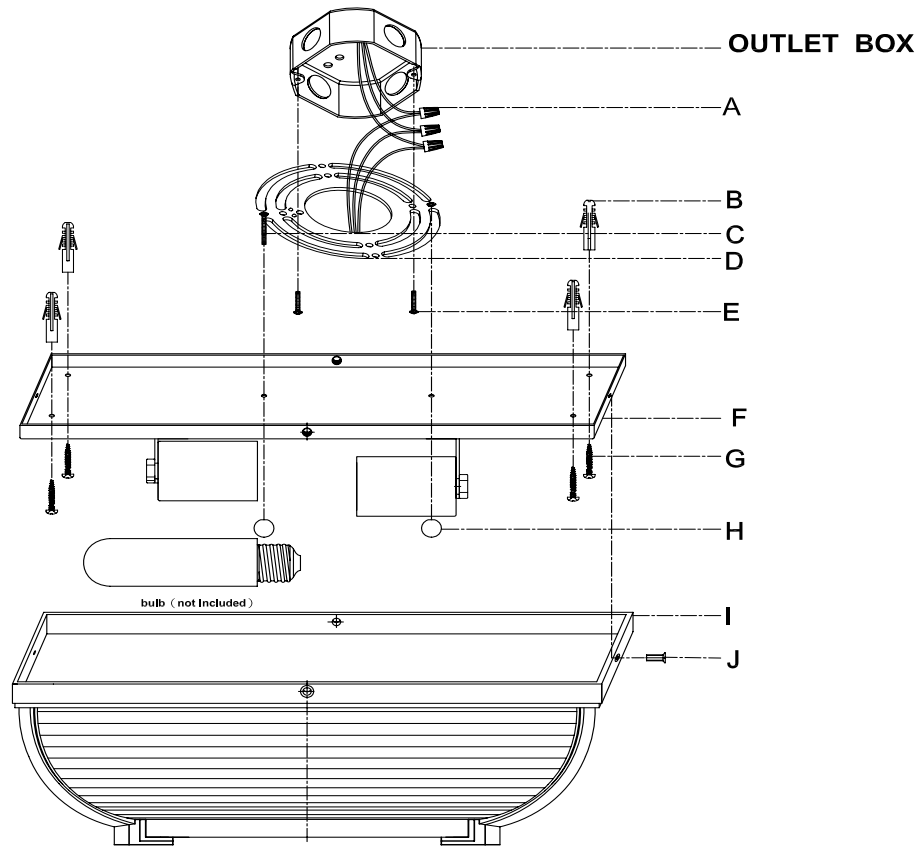


ASSEMBLY INSTRUCTIONS



Perry Large Flush Mount Item # RL 4072

WE RECOMMEND INSTALLATION OF THIS LIGHTING FIXTURE BE DONE BY A LICENSED ELECTRICIAN.

WARNING***SWITCH OFF THE MAIN ELECTRICAL SUPPLY FROM THE MAIN FUSE BOX/CIRCUIT BREAKER BEFORE INSTALLATION.

INSPECT ITEM CAREFULLY BEFORE ATTEMPTING TO INSTALL. IF THERE IS ANY DAMAGE OR OBVIOUS DEFECT. DO NOT INSTALL.

ITEM MAY NOT BE RETURNED ONCE IT HAS BEEN INSTALLED.

NOTE: CAREFULLY UNPACK EACH PIECE IN TOP LAYER OF PACKING PRIOR TO REMOVING. RETAIN ALL PACKING MATERIAL UNTILL INSPECTION AND INSTALLATION ARE FINAL.

1. Carefully remove all parts from the box.
2. Remove mounting plate (D) from the fixture base (F) by unscrewing cap nuts (H).
3. Gently pull the wires from the ceiling outlet and allow the wires to hang.
4. Affix the anchors (B) to the wall.
5. Affix mounting plate (D) onto ceiling outlet box by screwing mounting screws (E).
6. Connect the hot wire from the fixture to the hot wire from ceiling outlet box (usually black). Fasten them together with a plastic wire connector provided and wrap connection with the electrical tape.
7. Repeat this procedure for the neutral wires from the light fixture to the wire from ceiling outlet box (usually WHITE).
8. Connect ground wire from the light fixture (bare copper) to ground wire from ceiling outlet box (usually green or copper in color).
9. Let screws (C) on mounting plate (D) pass through the hole on fixture base (F) and secure with cap nuts (H).
10. Pass the screws (G) through the fixture base (F) screw into the anchors (B).
11. Insert bulbs (not included) into the sockets.
12. Secure fixture base (F) onto the fixture (I) with side screws (F).
13. Installation is complete, turn on power at fuse or circuit breaker.

***Clean with a dry, soft cloth only. Use no harsh abrasives or chemical agents.



VISUAL COMFORT & Co. Est. 1987