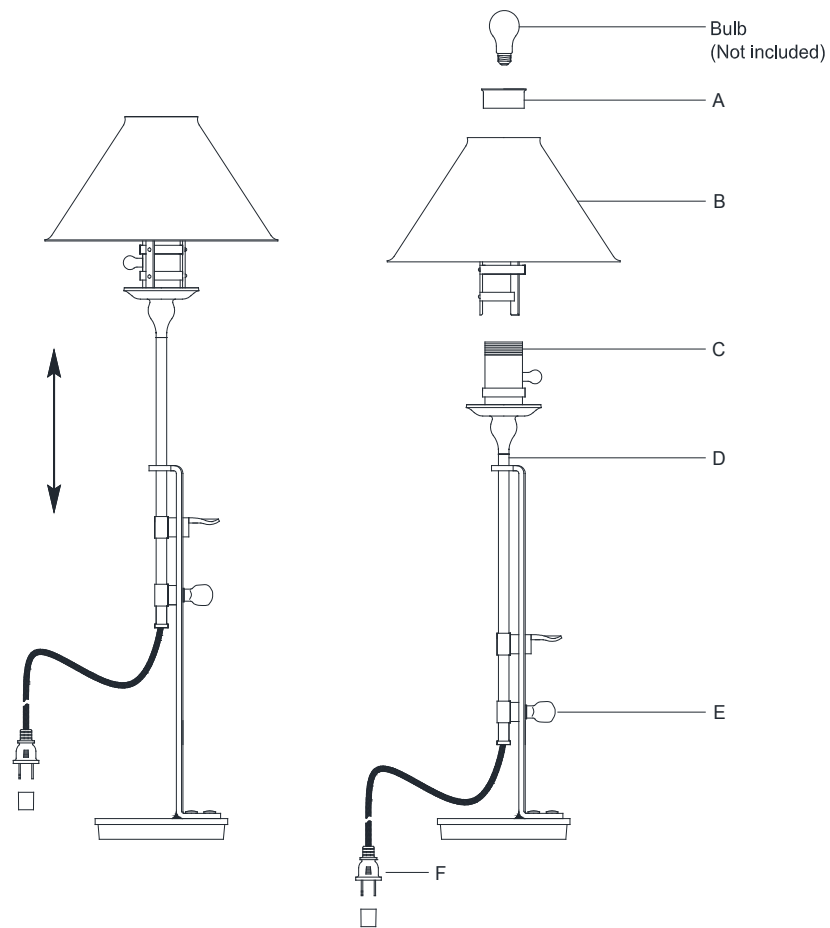


ASSEMBLY INSTRUCTIONS



Naomi Table Lamp

Item # RL 3739

INSPECT ITEM CAREFULLY BEFORE ATTEMPTING TO INSTALL. IF THERE IS ANY DAMAGE OR OBVIOUS DEFECT. DO NOT INSTALL.

ITEM MAY NOT BE RETURNED ONCE IT HAS BEEN INSTALLED.

NOTE: CAREFULLY UNPACK EACH PIECE IN TOP LAYER OF PACKING PRIOR TO REMOVING. RETAIN ALL PACKING MATERIALLY UNTIL INSPECTION AND INSTALLATION ARE FINAL.

1. Carefully remove all parts from the box.
2. Attach the metal shade (B) to the socket cup (C) and secure with socket ring (A).
3. Loosen the haddle (E), adjust the rod (D) up or down to get a desired height.
4. Insert bulb (not included) into the socket.
5. Remove protective plug cover (F) from the plug.
6. Plug into a proper electrical outlet and test the fixture.
7. Installation is complete.

***Clean with a dry, soft cloth only. Use no harsh abrasives or chemical agents.



RALPH LAUREN