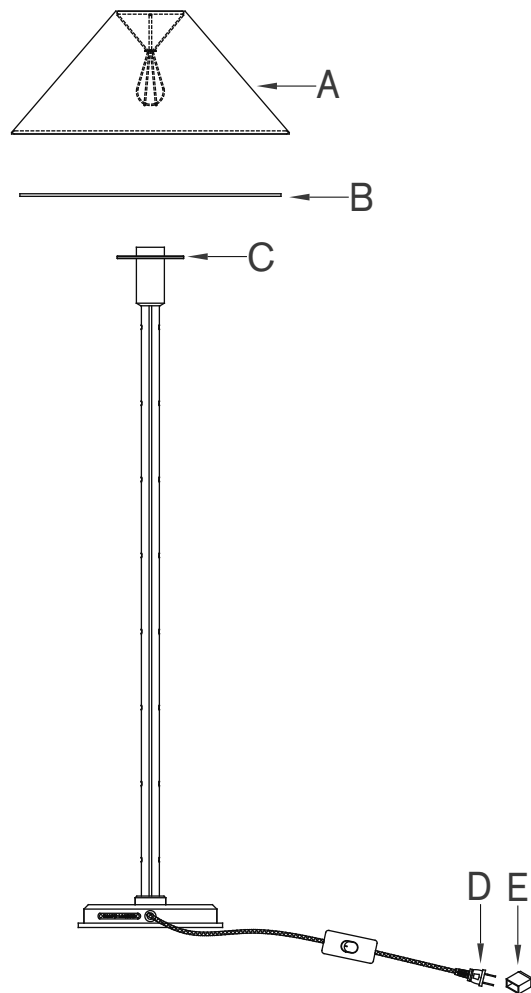


RL 3570

ASSEMBLY & INSTALLATION GUIDE



INSPECT ITEM CAREFULLY BEFORE ATTEMPTING TO INSTALL. IF THERE IS ANY DAMAGE OR OBVIOUS DEFECT, DO NOT INSTALL.

BEFORE INSTALLATION AND MAINTENANCE, PLEASE TURN OFF THE POWER IN MAIN CIRCUIT BOX

ITEM MAY NOT BE RETURNED ONCE IT HAS BEEN INSTALLED.

1. Carefully remove all parts from the carton.
2. Attach diffuser (B) to the socket (C).
3. Insert light bulb into the socket.
4. Clip the shade (A) onto the light bulb.
5. Remove plastic cover (E) from electrical plug (D).
6. Plug lamp into wall outlet.

*** Clean with a dry, soft cloth only. Use no harsh abrasives or chemical agents.



RALPH LAUREN