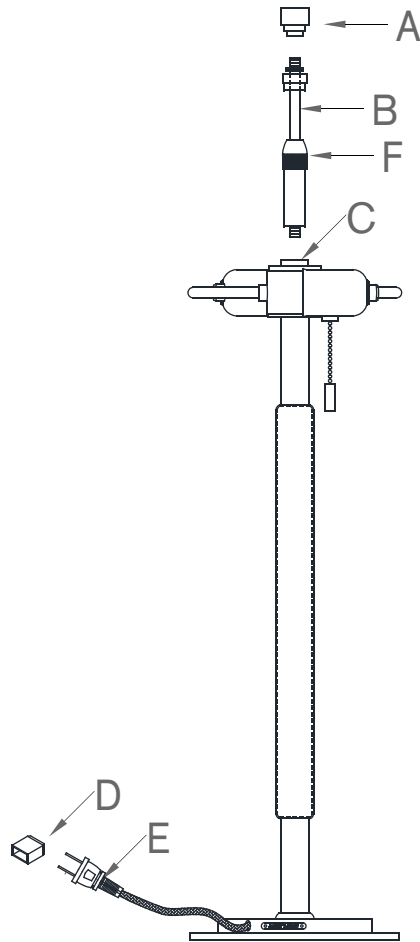


RL3491

ASSEMBLY & INSTALLATION GUIDE



INSPECT ITEM CAREFULLY BEFORE ATTEMPTING TO INSTALL. IF THERE IS ANY DAMAGE OR OBVIOUS DEFECT, DO NOT INSTALL.

ITEM MAY NOT BE RETURNED ONCE IT HAS BEEN INSTALLED.

1. Carefully remove all parts from the carton.
2. Thread the nipple of rod (B) into the opening of part (C) by turning in clockwise direction until tight.
3. Remove finial (A) from top of rod (B), attach shade (not included) onto the threaded portion and secure with finial (A).
4. Insert the specified light bulbs into sockets.
5. Remove plastic cover (D) from electrical plug (E)
6. Plug lamp into wall outlet.

TO ADJUST:

1. Loosen the break (F) by turning counter-clockwise direction.
2. Adjust rod (B) up or down to desired height.
3. Tighten the break (F) by turning clockwise direction.

***Clean with a dry, soft cloth only. Use no harsh abrasives or chemical agents.