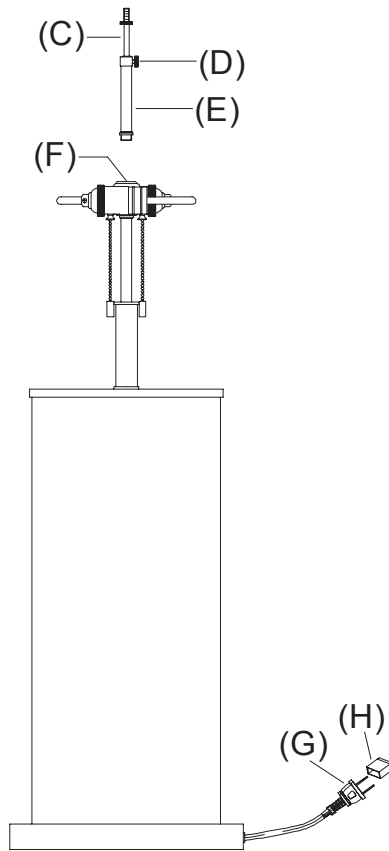
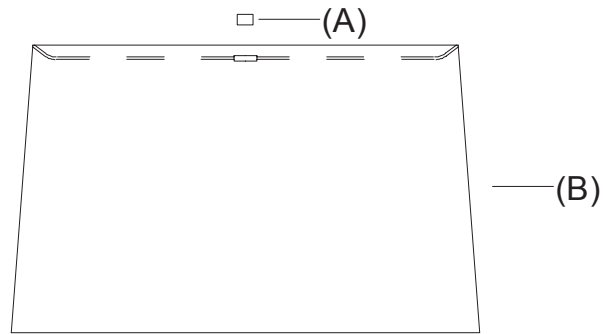


## ASSEMBLY INSTRUCTIONS



## Beckford XL Table Lamp

Item # RL3468

**WE RECOMMEND INSTALLATION OF THIS LIGHTING FIXTURE BE DONE BY A LICENSED ELECTRICIAN.**

**WARNING \*\*\* SWITCH OFF THE MAIN ELECTRICAL SUPPLY FROM THE MAIN FUSE BOX/CIRCUIT BREAKER BEFORE INSTALLATION.**

**INSPECT ITEM CAREFULLY BEFORE ATTEMPTING TO INSTALL. IF THERE IS ANY DAMAGE OR OBVIOUS DEFECT, DO NOT INSTALL.**

**ITEM MAY NOT BE RETURNED ONCE IT HAS BEEN INSTALLED.**

1. Remove all parts carefully from box.
2. Thread shade support tube (E) into top threaded opening of "S" cluster (F).
3. Remove finial (A) from top of shade support tube (C), place lamp shade (B) (not included) over top threaded section of (C) and secure with finial (A).
4. Insert light bulbs Type A maximum 75 watt into sockets
5. Remove protective plastic (H) from electrical plug (G).
6. Plug lamp into electrical outlet.

### ADJUSTMENT INSTRUCTIONS

1. Loosen adjustment key (D).
2. Adjust height by pulling or pushing rod (C) up or down to desired height.
3. Tighten the adjustment key (D).



# RALPH LAUREN