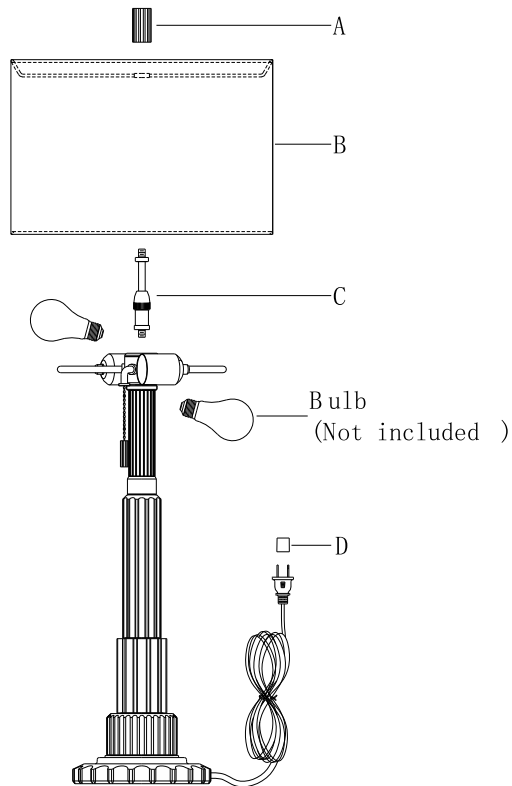


ASSEMBLY INSTRUCTIONS

Briggs Table Lamp

Item # RL3086

INSPECT ITEM CAREFULLY BEFORE ATTEMPTING TO INSTALL, IF THERE IS ANY DAMAGE OR OBVIOUS DEFECT, DO NOT INSTALL.
ITEM MAY NOT BE RETURNED ONCE IT HAS BEEN INSTALLED.



1. Carefully remove all parts from the box.
2. Screw adjustable riser (C) to the top of lamp body.
3. Remove finial (A) from the adjustable riser (C).
4. Place lampshade (B) on the assembled adjustable riser (C) and secure with the finial (A).
5. Install the bulbs (not included) into the sockets.
6. Remove the protective plug cover (D) from the plug.
7. Plug into a proper electrical outlet and test the fixture.
8. Installation is complete.

***Clean with a dry, soft cloth only. Use no harsh abrasives or chemical agents.



RALPH LAUREN