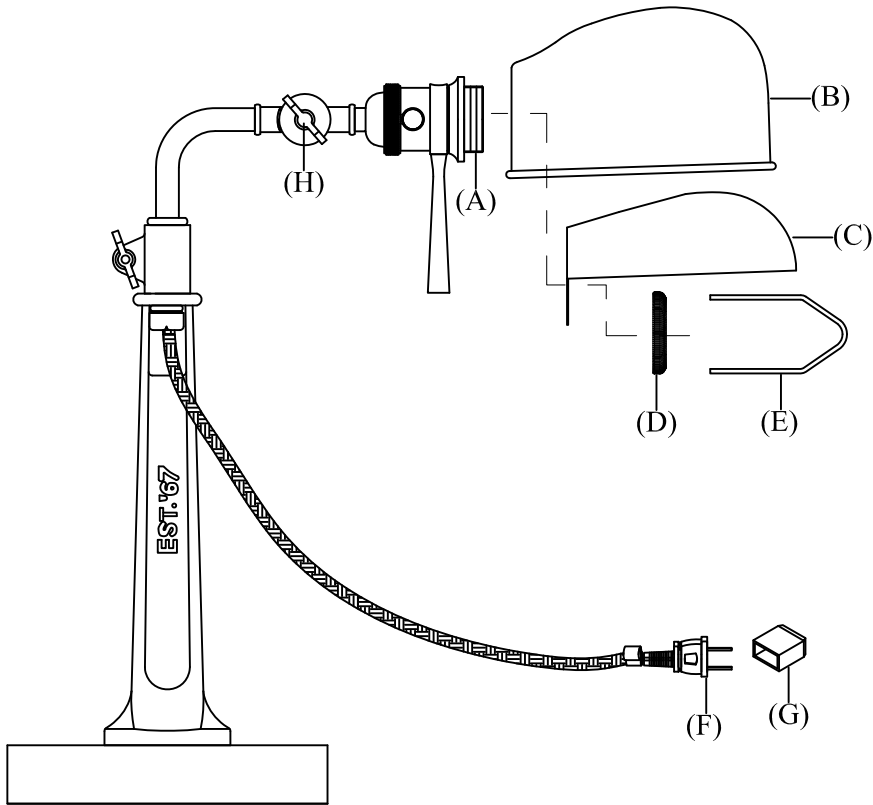


RL3030

ASSEMBLY & INSTALLATION GUIDE

INSPECT ITEM CAREFULLY BEFORE ATTEMPTING TO INSTALL. IF THERE IS ANY DAMAGE OR OBVIOUS DEFECT, DO NOT INSTALL.

ITEM MAY NOT BE RETURNED ONCE IT HAS BEEN INSTALLED.



1. Remove the socket ring (D) from top of socket (A).
2. Place lamp shade (B) over top of socket, followed with light reflector (C), letting socket protrude the opening of the shade and light reflector. And secure with socket ring (D) by allen wrench (E) provided.
3. Insert light bulb into socket.
4. Remove plastic cover (G) from electrical plug (F).
5. Plug lamp into electrical outlet.
6. ADJUSTMENT INSTRUCTIONS
 1. Loosen adjustment key (H).
 2. Adjust socket (A), up or down, to get desired height.
 3. Carefully tighten adjustment key (H).

R A L P H L A U R E N