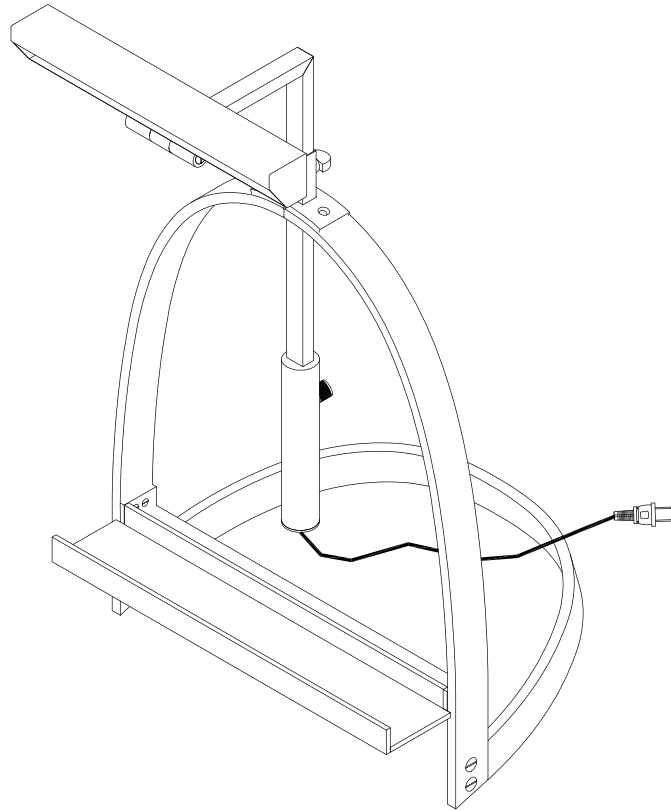


RL3020

ASSEMBLY & INSTALLATION GUIDE

INSPECT ITEM CAREFULLY BEFORE ATTEMPTING TO INSTALL. IF THERE IS ANY DAMAGE OR OBVIOUS DEFECT, DO NOT INSTALL.

ITEM MAY NOT BE RETURNED ONCE IT HAS BEEN INSTALLED.



1. Carefully remove all parts from the carton.
2. Insert light bulb (not included) into socket.
3. Plug lamp into wall outlet.

***Clean with a dry, soft cloth only. Do not use harsh abrasives or chemical agents.