

# RL2712

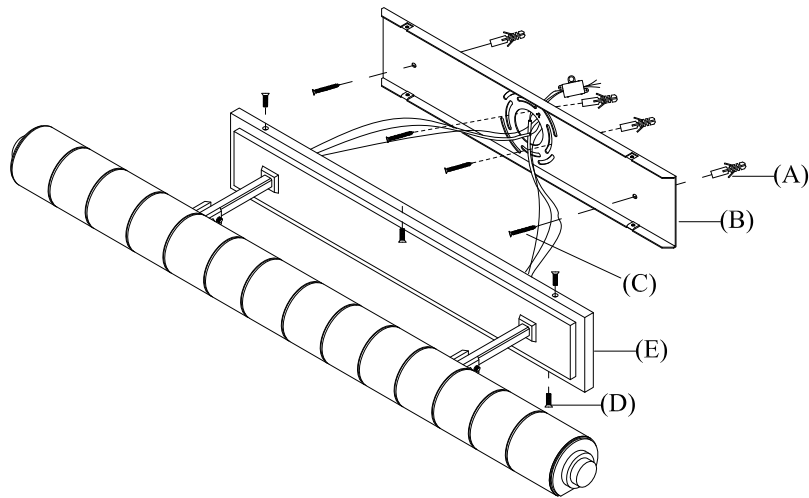
## ASSEMBLY & INSTALLATION GUIDE

**WE RECOMMEND INSTALLATION OF THIS LIGHTING FIXTURE BE DONE BY A LICENSED ELECTRICIAN.**

**WARNING \*\*\* SWITCH OFF THE MAIN ELECTRICAL SUPPLY FROM THE MAIN FUSE BOX/CIRCUIT BREAKER BEFORE INSTALLATION.**

**INSPECT ITEM CAREFULLY BEFORE ATTEMPTING TO INSTALL. IF THERE IS ANY DAMAGE OR OBVIOUS DEFECT, DO NOT INSTALL.**

**ITEM MAY NOT BE RETURNED ONCE IT HAS BEEN INSTALLED.**



1. Remove mounting plate (B) from fixture base (E) by removing base screws (D).
2. Place mounting plate (B) on the wall outlet box, use it as a template, and mark four points for two holes and two slots of mounting plate (B) on the wall. Remove mounting plate (B).
3. Drill small holes on the marked points, the holes should be big enough to accommodate with plastic anchors (A). Push plastic anchors (A) into the holes.
4. Connect ground (usually green) outlet wire to ground (green) side of terminal block by loosening set screw, inserting outlet wire and tightening set screw. The terminal block is attached at backside of fixture base (E).
5. Connect Neutral (usually blue) outlet wire to neutral (blue) side of terminal block by loosening set screw, inserting outlet wire and tightening set screw. The terminal block is attached at backside of fixture base (E).
6. Repeat procedure for the hot (brown) outlet wire to hot side of terminal block. Always make sure that no wire strands are left outside the terminal block. **DO NOT REVERSE THE HOT AND NEUTRAL CONNECTIONS OTHERWISE SAFETY WILL BE COMPROMISED.**
7. Place mounting plate (B) to wall outlet box by aligning the holes, inserting mounting screws (C) to wall outlet box and screws (C) to the plastic anchors (A) to secure mounting plate (B) to the wall.
8. Attach fixture base (E) to mounting plate (B) by aligning the holes on side of mounting plate (B) with the holes on side of fixture base (E) and tighten by inserting base screws (D).
9. Insert light bulbs (not included) into lamp holders.

R A L P H L A U R E N