

RL2160

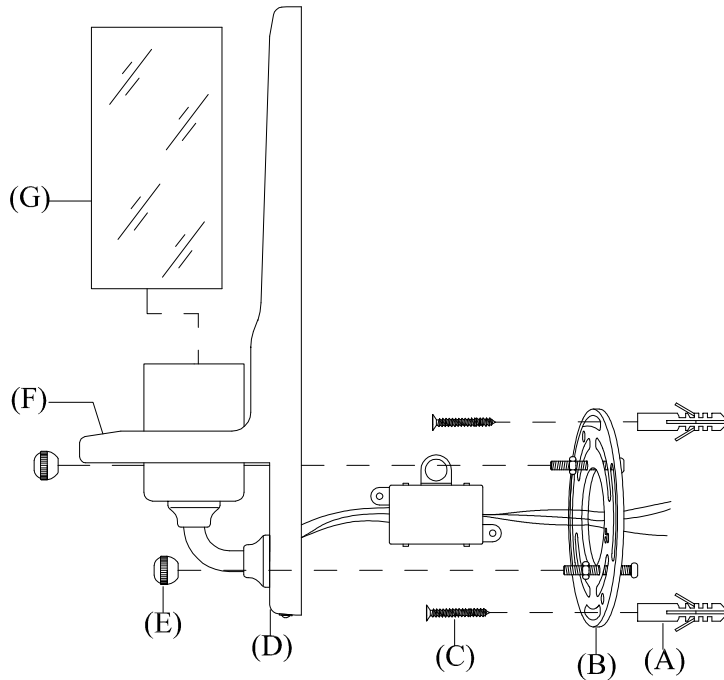
ASSEMBLY & INSTALLATION GUIDE

WE RECOMMEND INSTALLATION OF THIS LIGHTING FIXTURE BE DONE BY A LICENSED ELECTRICIAN.

WARNING * SWITCH OFF THE MAIN ELECTRICAL SUPPLY FROM THE MAIN FUSE BOX/CIRCUIT BREAKER BEFORE INSTALLATION.**

INSPECT ITEM CAREFULLY BEFORE ATTEMPTING TO INSTALL. IF THERE IS ANY DAMAGE OR OBVIOUS DEFECT, DO NOT INSTALL.

ITEM MAY NOT BE RETURNED ONCE IT HAS BEEN INSTALLED.



1. Remove mounting plate (B) from fixture base (D) by removing cap nuts (E).
2. Place mounting plate (B) on the wall, use it as a template, mark center points for both mounting slots for mounting plate (B) on the wall. Remove mounting plate (B).
3. Drill small holes on the marked location, the holes should be big enough to accommodate with plastic anchors (A). Push plastic anchors (A) into the holes.
4. Gently pull the wires from the wall outlet and allow the wires to hang. Thread the wires through the center hole in mounting plate (B).
5. Affix mounting plate (B) to the wall by aligning mounting holes with center holes of plastic anchors (A), inserting mounting screws (C) to secure mounting plate (B) to the wall.
6. Connect ground (usually green) outlet wire to ground (green) side of terminal block by loosening set screw, inserting outlet wire and tightening set screw. The terminal block is attached at backside of fixture base (D).
7. Connect Neutral (usually blue) outlet wire to neutral (blue) side of terminal block by loosening set screw, inserting outlet wire and tightening set screw. The terminal block is attached at backside of fixture base (D).
8. Repeat procedure for the hot (brown) outlet wire to hot side of terminal block. Always make sure that no wire strands are left outside the terminal block. **DO NOT REVERSE THE HOT AND NEUTRAL CONNECTIONS OTHERWISE SAFETY WILL BE COMPROMISED.**
9. Attach fixture base (D) to mounting plate (B) by aligning the holes and secure by inserting cap nuts (E).
10. Insert light bulb into the lamp holder.
11. Place glass shade (G) to the shade holder (F).
12. Restore power and test fixture. Installation is complete

R A L P H L A U R E N