

# RL2080

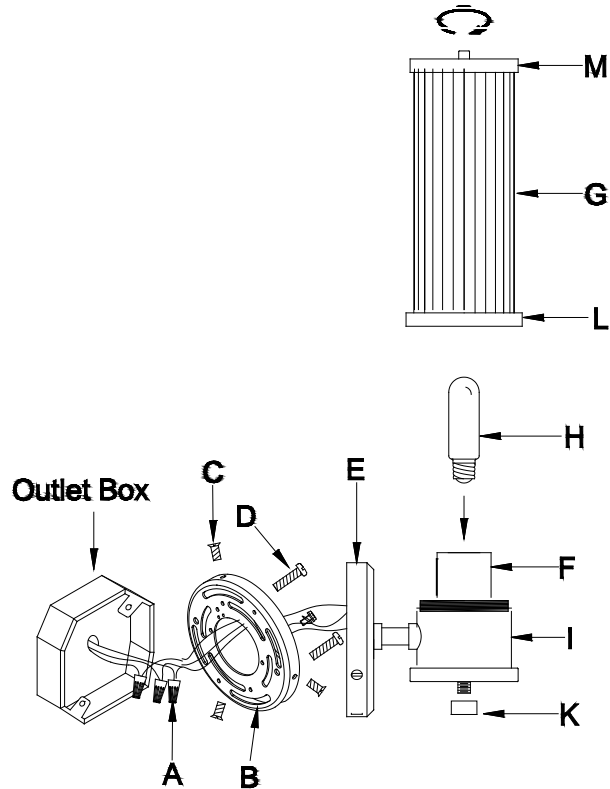
## ASSEMBLY & INSTALLATION GUIDE

**WE RECOMMEND INSTALLATION OF THIS LIGHTING FIXTURE BE DONE BY A LICENSED ELECTRICIAN.**

**WARNING \*\*\* SWITCH OFF THE MAIN ELECTRICAL SUPPLY FROM THE MAIN FUSE BOX/CIRCUIT BREAKER BEFORE INSTALLATION.**

**INSPECT ITEM CAREFULLY BEFORE ATTEMPTING TO INSTALL. IF THERE IS ANY DAMAGE OR OBVIOUS DEFECT, DO NOT INSTALL.**

**ITEM MAY NOT BE RETURNED ONCE IT HAS BEEN INSTALLED.**



1. Carefully remove the mounting plate (B) from the back plate (E) by unscrewing the screws (D).
2. Use the two mounting screws (D) to secure the mounting plate (B) to the outlet box on the wall.
3. Connect the Ground (bare) fixture wire to the ground (usually bare) wire from your outlet box using wire nut (A).  
If your house does not have ground wire, then attach it to the green grounding screw on the mounting plate (B).
4. Connect the Neutral (ribbed edge, no markings, or white) fixture wire to the Neutral (usually white) wire from your outlet box. Fasten both wires together with wire nut (A).
5. Repeat the procedure with the Hot (smooth edge, markings, or black) fixture wire to the hot (usually black) outlet wire.  
**DO NOT REVERSE THE HOT AND NEUTRAL CONNECTIONS, OTHERWISE SAFETY WILL BE COMPROMISED.**
6. Carefully tuck the wires inside the outlet box. Make sure no wires can be pulled out.
7. Secure the back plate (E) to the mounting plate (B) with the three screws (C).
8. Insert bulb (H) (not included) into socket (F).
9. Secure the glass frame (G) on the fixture (I).
10. Assembly is complete.
11. Do not touch glass frame (G) and top cap (M). Only hold bottom ring (L) during assembly

R A L P H L A U R E N