

# RL2025

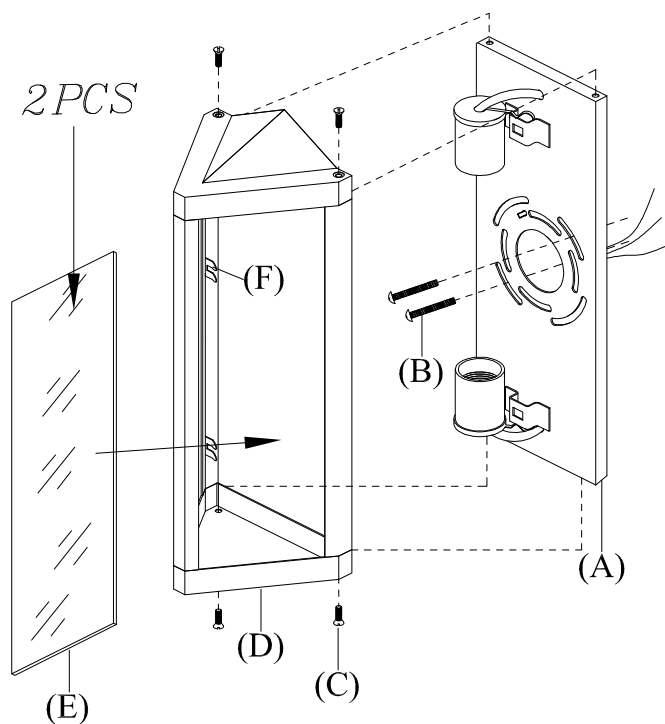
## ASSEMBLY & INSTALLATION GUIDE

**WE RECOMMEND INSTALLATION OF THIS LIGHTING FIXTURE BE DONE BY A LICENSED ELECTRICIAN.**

**WARNING \*\*\* SWITCH OFF THE MAIN ELECTRICAL SUPPLY FROM THE MAIN FUSE BOX/CIRCUIT BREAKER BEFORE INSTALLATION.**

**INSPECT ITEM CAREFULLY BEFORE ATTEMPTING TO INSTALL. IF THERE IS ANY DAMAGE OR OBVIOUS DEFECT, DO NOT INSTALL.**

**ITEM MAY NOT BE RETURNED ONCE IT HAS BEEN INSTALLED.**



1. Attach ground (green) wire to ground wire from wall outlet box (usually green or copper in color), fasten together with a plastic wire connector. Tightly wrap the wire connector with electrical tape so the end of the connector is sealed. IT IS IMPERATIVE THAT THE OUTLET BOX IN YOUR HOME BE PROPERLY GROUNDED.
2. Connect neutral (white) fixture wire coming from fixture base to neutral (usually white) outlet wire.
3. Fasten both wires together with a plastic wire connector and tightly wrap the wire connector with electrical tape.
4. Repeat the procedure with the hot (black) wires. Always make sure that no wire strands are left outside of the connectors. DO NOT REVERSE THE HOT AND NEUTRAL CONNECTIONS OTHERWISE SAFETY WILL BE COMPROMISED. Remove mounting plate (A) from lantern box (D) by removing base screws (C).
5. Affix mounting plate (A) to wall outlet box with mounting screws (B) provided.
6. Insert light bulbs into sockets.
7. To insert glass panels (E) provided to each frame, make sure metal tabs (F) are flipped against the opening of frame. Place glass panels (E) to each frame and secure glass panels by bending back metal tabs (F) downwards.
8. Attach lantern box (D) to mounting plate (A) and tighten with base screws (C).
9. TO CHANGE LIGHT BULB:  
Remove lantern box (D) with glass panels (E) from mounting plate (A) by unscrewing base screws (C).  
Insert light bulbs into sockets. Replace lantern box (D) with glass panels and secure with base screws (C).

R A L P H L A U R E N