

RL19035

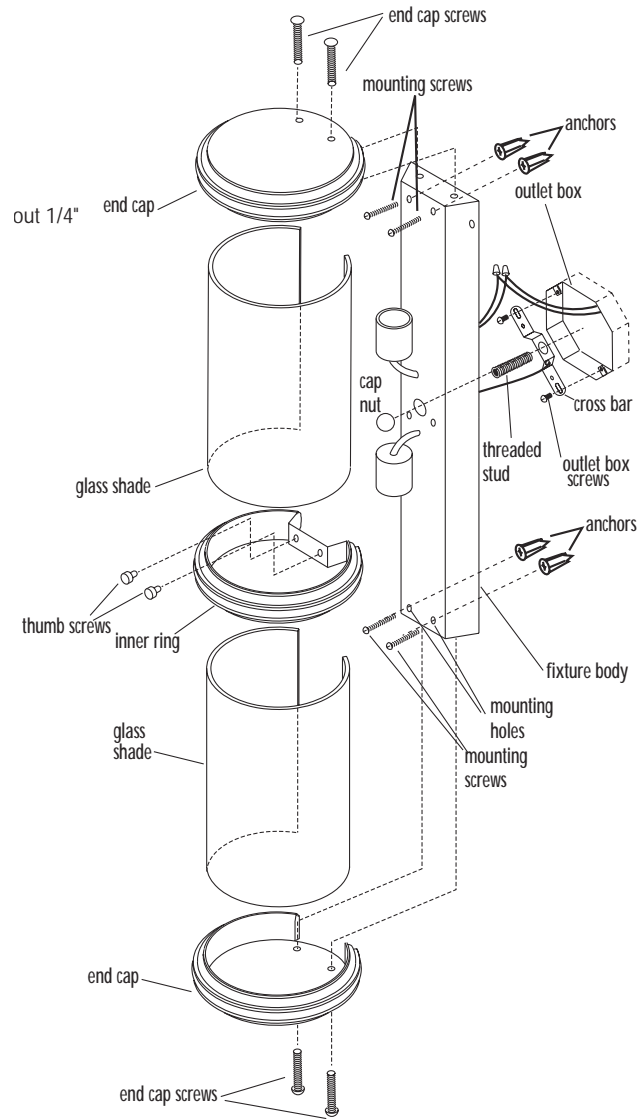
ASSEMBLY & INSTALLATION GUIDE

WE RECOMMEND INSTALLATION OF THIS LIGHTING FIXTURE BE DONE BY A LICENSED ELECTRICIAN.

WARNING * SWITCH OFF THE MAIN ELECTRICAL SUPPLY FROM THE MAIN FUSE BOX/CIRCUIT BREAKER BEFORE INSTALLATION.**

INSPECT ITEM CAREFULLY BEFORE ATTEMPTING TO INSTALL. IF THERE IS ANY DAMAGE OR OBVIOUS DEFECT, DO NOT INSTALL.

ITEM MAY NOT BE RETURNED ONCE IT HAS BEEN INSTALLED.



1. Install threaded stud into cross bar. The stud should project about 1/4" beyond the fixture body.
2. Mount cross bar to outlet box using outlet box screws.
3. Place fixture body over outlet box in desired orientation. Using the fixture body as a template, mark the location of the four mounting holes on the wall. Remove fixture body and install appropriate anchors at the marked locations. Make electrical connections using wire nuts.
4. If there is no green ground wire from the outlet box, connect the fixture ground wire to the universal mounting plate with the green screw provided.
5. Place fixture body over stud and secure with cap nut. Align fixture with the installed anchors and screw to the wall. Install light bulbs.
6. Attach center ring to fixture using thumb screws.
7. Carefully slide glass shade over fixture body until one end rests within the inner ring.
8. Attach end caps to fixture body to secure glass shades.

R A L P H L A U R E N