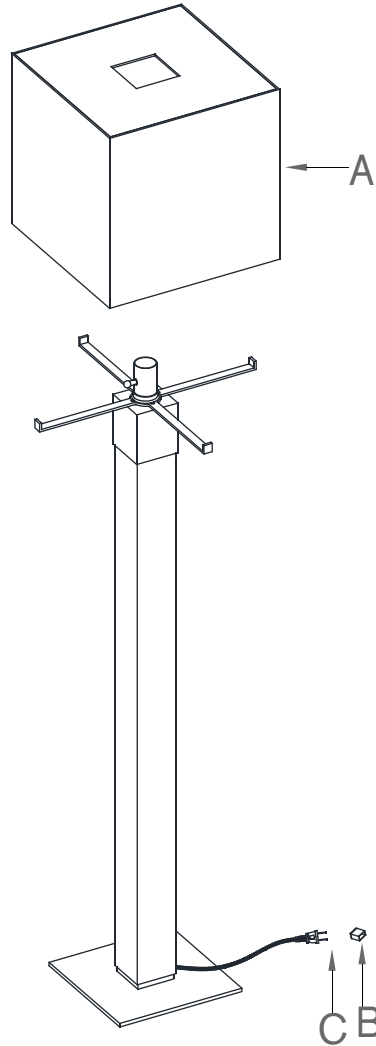


RL1592

ASSEMBLY & INSTALLATION GUIDE



INSPECT ITEM CAREFULLY BEFORE ATTEMPTING TO INSTALL. IF THERE IS ANY DAMAGE OR OBVIOUS DEFECT, DO NOT INSTALL.

ITEM MAY NOT BE RETURNED ONCE IT HAS BEEN INSTALLED.

1. Carefully remove all parts from the carton.
2. Insert the specified light bulb into socket.
3. Place shade (A) (packed separately) onto the top of fixture base.
4. Remove plastic cover (B) from electrical plug (C).
5. Plug lamp into wall outlet.

***Clean with a dry, soft cloth only. Use no harsh abrasives or chemical agents.