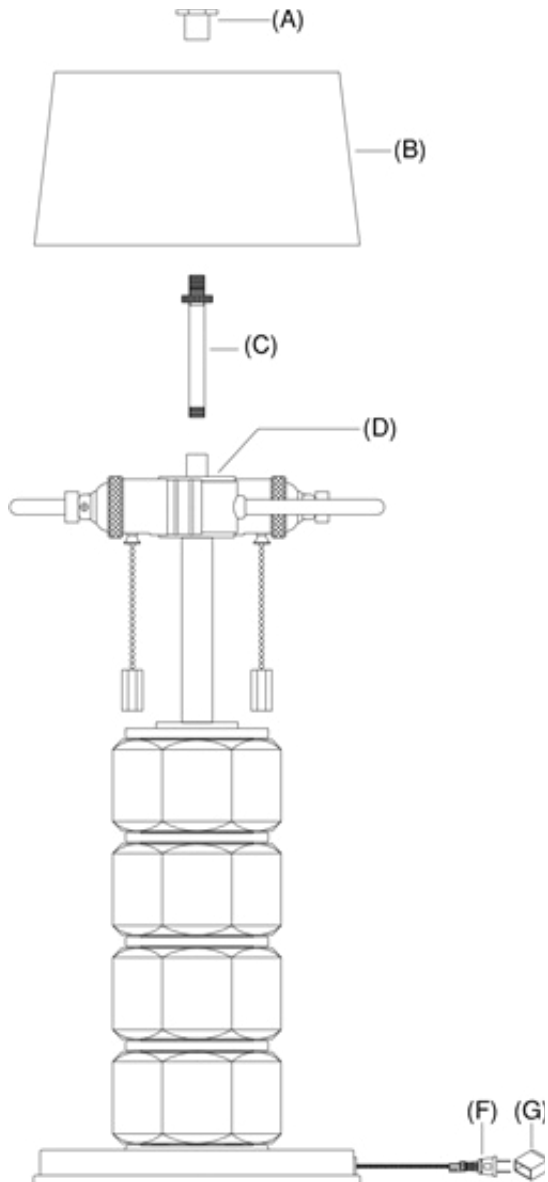


# RL15020

## ASSEMBLY & INSTALLATION GUIDE



**INSPECT ITEM CAREFULLY BEFORE ATTEMPTING TO INSTALL. IF THERE IS ANY DAMAGE OR OBVIOUS DEFECT, DO NOT INSTALL.**

**ITEM MAY NOT BE RETURNED ONCE IT HAS BEEN INSTALLED.**

1. Thread shade support tube (C) into top threaded opening of "S" cluster (D).
2. Remove finial (A) from top of shade support tube (C), place lamp shade (B) over top threaded section of (C) and secure with finial (A).
3. Insert light bulbs Type A, maximum 60 watt or 13 watt CFL bulbs into sockets.
4. Remove protective plastic (G) from electrical plug (F).
5. Plug lamp into electrical outlet.

R A L P H L A U R E N