

RL14028

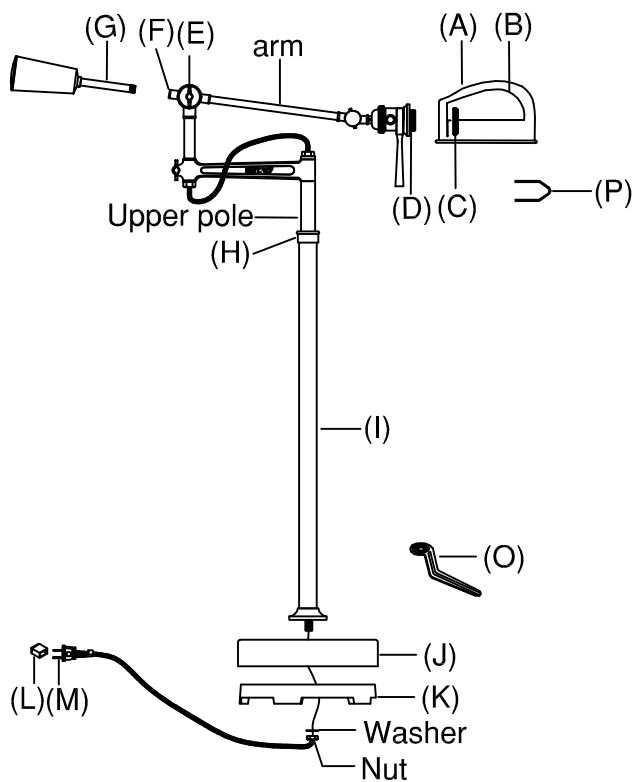
ASSEMBLY & INSTALLATION GUIDE

WE RECOMMEND INSTALLATION OF THIS LIGHTING FIXTURE BE DONE BY A LICENSED ELECTRICIAN.

WARNING * SWITCH OFF THE MAIN ELECTRICAL SUPPLY FROM THE MAIN FUSE BOX/CIRCUIT BREAKER BEFORE INSTALLATION.**

INSPECT ITEM CAREFULLY BEFORE ATTEMPTING TO INSTALL. IF THERE IS ANY DAMAGE OR OBVIOUS DEFECT, DO NOT INSTALL.

ITEM MAY NOT BE RETURNED ONCE IT HAS BEEN INSTALLED.



1. Join parts (I), (J) & (K) together, letting rod on bottom of pole (I) pass through center holes on base (J) and base loader (K).
2. From the underside of base, slide the washer over the threaded rod and then thread nut onto the rod. Use the open wrench (O) provided to tighten the nut securely while holding the pole.
3. Remove socket ring (C) from threaded socket (D).
4. Place lamp shade (A) over threaded socket, followed with light reflector (B), letting thread socket protrudes the opening of the shade and light reflector. And secure with socket ring (C) by allen wrench (P) provided.
5. Thread balancing arm (G) into side opening of part (F). Insert light bulb into socket.
6. Remove plastic cover (L) from electrical plug (M). Plug lamp into electrical outlet.
7. ADJUSTMENT INSTRUCTIONS:
 - A. Loosen adjustment keys (E) and break (H).
 - B. Adjust height by pulling or pushing upper pole up or down to desired height and swing arm and/or shade to desired position.
 - C. Tighten the adjustment keys (E) and break (H).

RALPH LAUREN