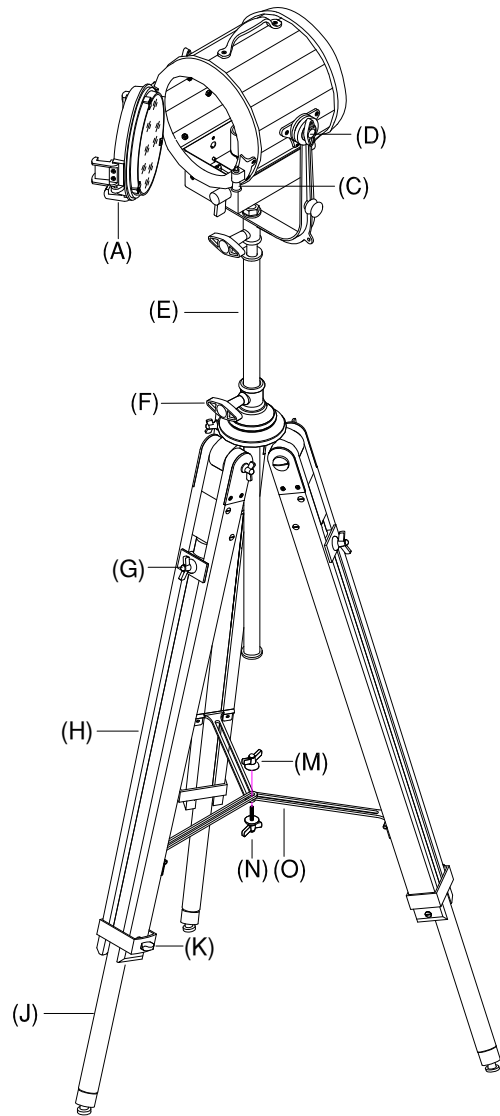


RL11180

ASSEMBLY & INSTALLATION GUIDE



INSPECT ITEM CAREFULLY BEFORE ATTEMPTING TO INSTALL. IF THERE IS ANY DAMAGE OR OBVIOUS DEFECT, DO NOT INSTALL.

ITEM MAY NOT BE RETURNED ONCE IT HAS BEEN INSTALLED.

1. Unfold the tripod legs (H) and connect the three flat support bars (O) together by inserting part (N) into the slot where the bars join in the center as shown in the drawing at left. Secure with thumbscrew (M).
2. Pull retaining pin (C) to open the front lens diffuser (A).
3. Insert light bulb into socket.
4. Close the front lens diffuser (A) and replace the retaining pin (C).
5. Plug lamp into an electrical outlet.
6. TO ADJUST LAMP HEIGHT:
 - A. Loosen adjustment key (F) and raise or lower the lamp to the desired height.
 - B. Tighten adjustment key (F).
 - C. If additional height is needed, loosen Leg adjustment keys (G) and (K).
 - D. Raise one leg at a time to the desired height and re-tighten adjustment keys (G) and (K) before moving to the next leg. To avoid an unbalanced condition, please ensure that all legs are extended the same amount.
 - E. Ensure that all adjustment keys (G) and (K) are re-tightened.
7. TO ADJUST THE LAMP DIRECTION:
 - A. To point the light Higher or Lower, loosen adjustment key (D). Re-tighten when desired lighting position is achieved.
 - B. To point the light Right or Left, loosen adjustment key (F). Re-tighten when desired lighting position is achieved.

R A L P H L A U R E N