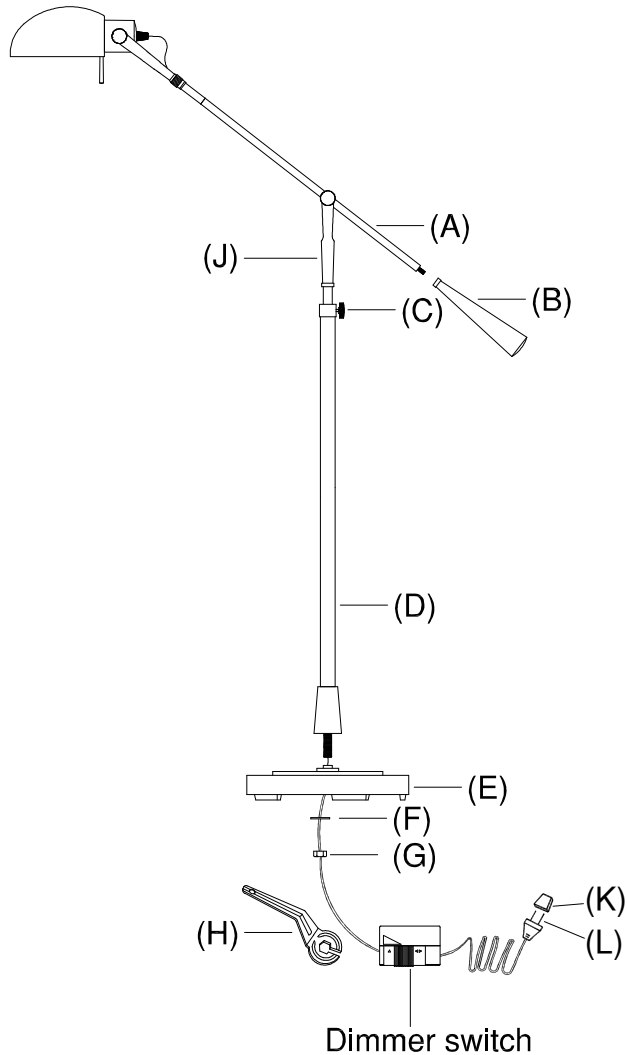


RL11170

ASSEMBLY & INSTALLATION GUIDE

INSPECT ITEM CAREFULLY BEFORE ATTEMPTING TO INSTALL. IF THERE IS ANY DAMAGE OR OBVIOUS DEFECT, DO NOT INSTALL.

ITEM MAY NOT BE RETURNED ONCE IT HAS BEEN INSTALLED.



1. Join parts (D),(E) together, letting rod on bottom of pole (D) pass through the center holes on base (E).
2. From the underside of base, slide the washer (F) over the threaded rod and then thread nut (G) onto the rod. Use the open wrench (H) provided to tighten the nut securely while holding the pole (D).
3. Screw balance arm (B) onto the side nipple of arm (A).
4. Insert light bulb into socket.
5. Plug lamp into electrical outlet.
6. TO ADJUST LAMP HEIGHT:
 - A. Loosen the adjustment key (C).
 - B. Adjust height by pulling or pushing upper pole (J) up or down to desired height and swing arm and/or shade to desired position.
 - C. Tighten the adjustment key (C).

RALPH LAUREN