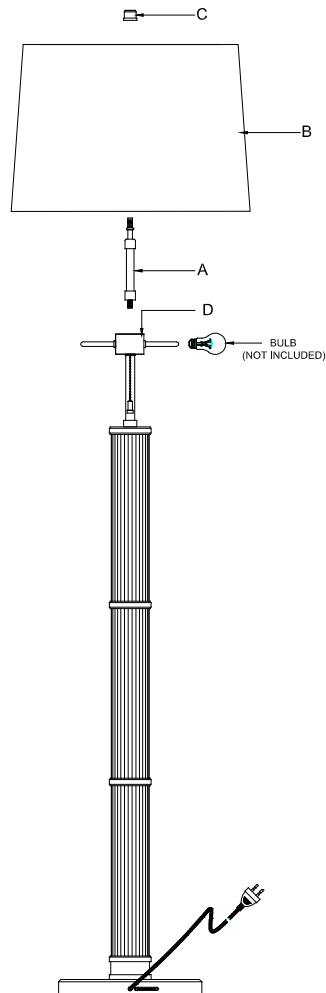


# RL1080

## ASSEMBLY & INSTALLATION GUIDE

**INSPECT ITEM CAREFULLY BEFORE ATTEMPTING TO INSTALL. IF THERE IS ANY DAMAGE OR OBVIOUS DEFECT, DO NOT INSTALL.**

**ITEM MAY NOT BE RETURNED ONCE IT HAS BEEN INSTALLED.**



1. Remove adjustable tube (A) from plastic bag and Screw adjustable tube (A) to the top of lamp body.
2. Install the light bulbs(not included) into sockets(D)
3. Put shade (B) onto the top of adjustable tube(A)
4. Secure the shade (B) by finial (C).
5. Plug into proper electrical outlet and test fixture.
6. Assembly is complete.

R A L P H L A U R E N