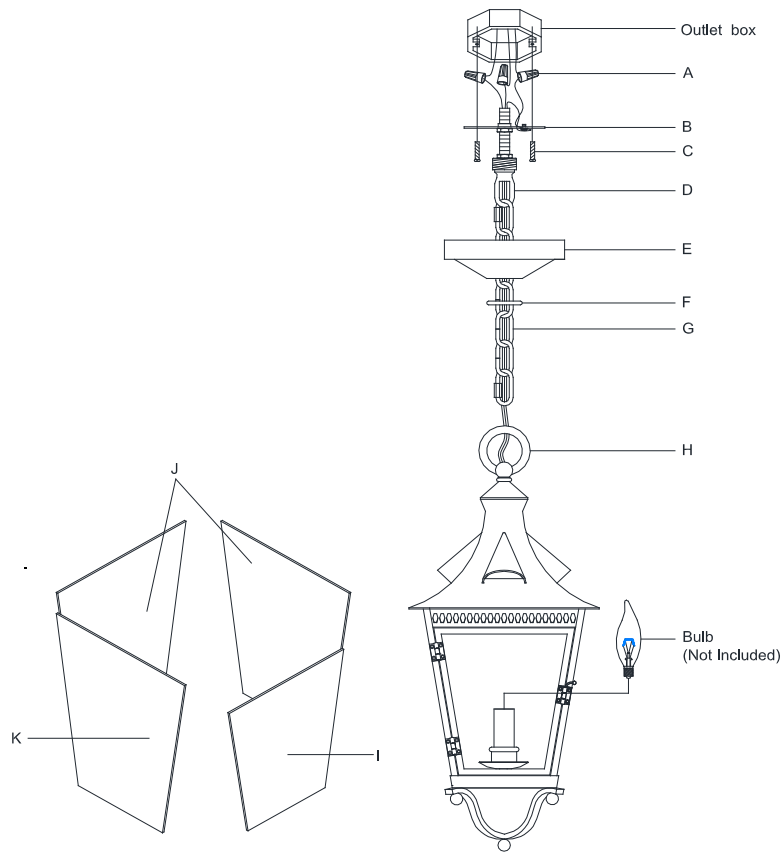


ASSEMBLY INSTRUCTIONS



Orleans Small Hanging Lantern

Item # NW 5707

WE RECOMMEND INSTALLATION OF THIS LIGHTING FIXTURE BE DONE BY A LICENSED ELECTRICIAN.

WARNING***SWITCH OFF THE MAIN ELECTRICAL SUPPLY FROM THE MAIN FUSE BOX/CIRCUIT BREAKER BEFORE INSTALLATION.

INSPECT ITEM CAREFULLY BEFORE ATTEMPTING TO INSTALL. IF THERE IS ANY DAMAGE OR OBVIOUS DEFECT. DO NOT INSTALL.

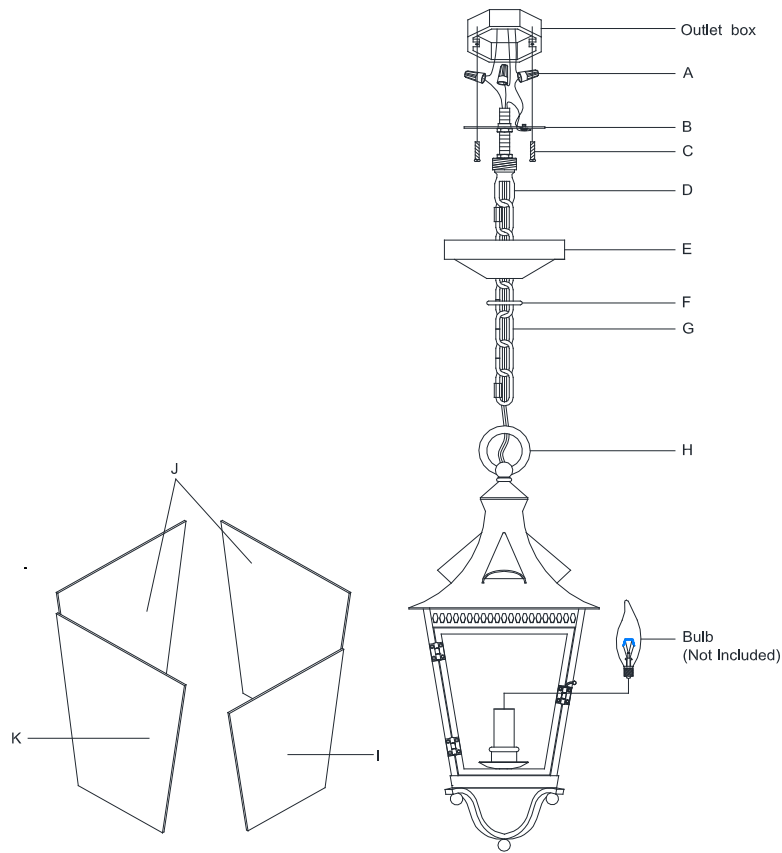
ITEM MAY NOT BE RETURNED ONCE IT HAS BEEN INSTALLED.

NOTE: CAREFULLY UNPACK EACH PIECE IN TOP LAYER OF PACKING PRIOR TO REMOVING. RETAIN ALL PACKING MATERIAL UNTIL INSPECTION AND INSTALLATION ARE FINAL.

1. Carefully remove all parts from the box.
2. Open the front door, then insert the glass panels (J) on the back side and left side of the frame and secure by bending the metal tabs.
3. Insert the glass panels (I) on the right side of the frame and secure by bending the metal tabs.
4. Insert the glass panel (K) on the front door and secure by bending the metal tabs.
5. Insert bulb (not included) into the socket, then close the front door.
6. Install the crossbar (B) with ceiling loop (D) to the outlet box by mounting screws (C) provided.
7. With the fixture desired height, shorten the chain (G) as needed using a pair of chain pliers.
8. Open the chain quick link, then attach the chain quick link to the top ring (H). Secure the chain quick link.
9. Let lock collar ring (F) and canopy (E) go through the chain (G).
10. Open the chain quick link, then attach the chain quick link to the ceiling loop (D). Secure the chain quick link.
11. Weave the power supply cord and the ground wire through the chain (G).
12. When you reach the canopy and ceiling loop, measure the wires then cut. Be certain to leave enough to connect inside of the outlet box.
13. Strip the insulation back on the two power supply wires about 5/8".
14. Twist the power supply and ground wire together and push through the center hole of the ceiling loop (D).



ASSEMBLY INSTRUCTIONS



Orleans Small Hanging Lantern

Item # NW 5707

WE RECOMMEND INSTALLATION OF THIS LIGHTING FIXTURE BE DONE BY A LICENSED ELECTRICIAN.

WARNING***SWITCH OFF THE MAIN ELECTRICAL SUPPLY FROM THE MAIN FUSE BOX/CIRCUIT BREAKER BEFORE INSTALLATION.

INSPECT ITEM CAREFULLY BEFORE ATTEMPTING TO INSTALL. IF THERE IS ANY DAMAGE OR OBVIOUS DEFECT. DO NOT INSTALL.

ITEM MAY NOT BE RETURNED ONCE IT HAS BEEN INSTALLED.

NOTE: CAREFULLY UNPACK EACH PIECE IN TOP LAYER OF PACKING PRIOR TO REMOVING. RETAIN ALL PACKING MATERIAL UNTIL INSPECTION AND INSTALLATION ARE FINAL.

15. Connect the fixture ground (bare) wire with the ground wire from the outlet box using wire nut (A). If your house does not have ground wire, then attach this wire to the green grounding screw inside of the outlet box.

IT IS IMPERATIVE THAT THIS FIXTURE BE GROUNDED.

16. Connect the fixture Neutral wire (ribbed, no markings) with the neutral wire from the outlet box using wire nut (A).

17. Connect the fixture Hot (smooth edge, markings) wire with the hot wire from the outlet box using wire nut (A).

DO NOT REVERSE THE HOT AND NEUTRAL CONNECTIONS OR SAFETY WILL BE COMPROMISED.

18. Tuck these wire connections neatly into the outlet box to secure.

19. Put canopy (E) to the ceiling, and secure with lock collar ring (F).

20. Installation is complete, turn on power at fuse or circuit breaker.

***Clean with a dry, soft cloth only. Use no harsh abrasives or chemical agents.

