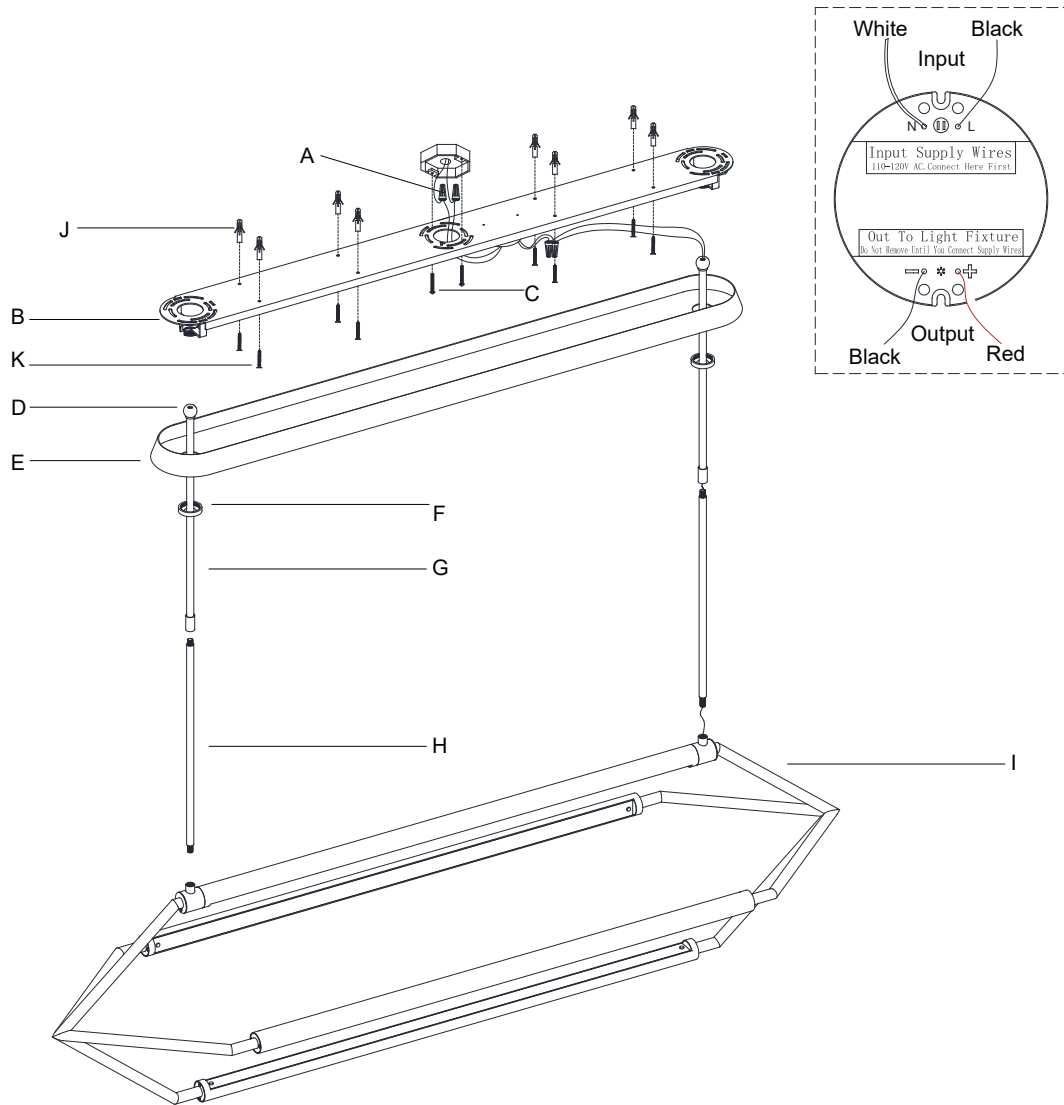


## ASSEMBLY INSTRUCTIONS



## Appareil Large Linear Lantern

Item # KW5705

**WE RECOMMEND INSTALLATION OF THIS LIGHTING FIXTURE BE DONE BY A LICENSED ELECTRICIAN.**

**WARNING\*\*\*SWITCH OFF THE MAIN ELECTRICAL SUPPLY FROM THE MAIN FUSE BOX/CIRCUIT BREAKER BEFORE INSTALLATION.**

**INSPECT ITEM CAREFULLY BEFORE ATTEMPTING TO INSTALL. IF THERE IS ANY DAMAGE OR OBVIOUS DEFECT. DO NOT INSTALL.**

**ITEM MAY NOT BE RETURNED ONCE IT HAS BEEN INSTALLED.**

**NOTE: CAREFULLY UNPACK EACH PIECE IN TOP LAYER OF PACKING PRIOR TO REMOVING. RETAIN ALL PACKING MATERIAL UNTIL INSPECTION AND INSTALLATION ARE FINAL.**

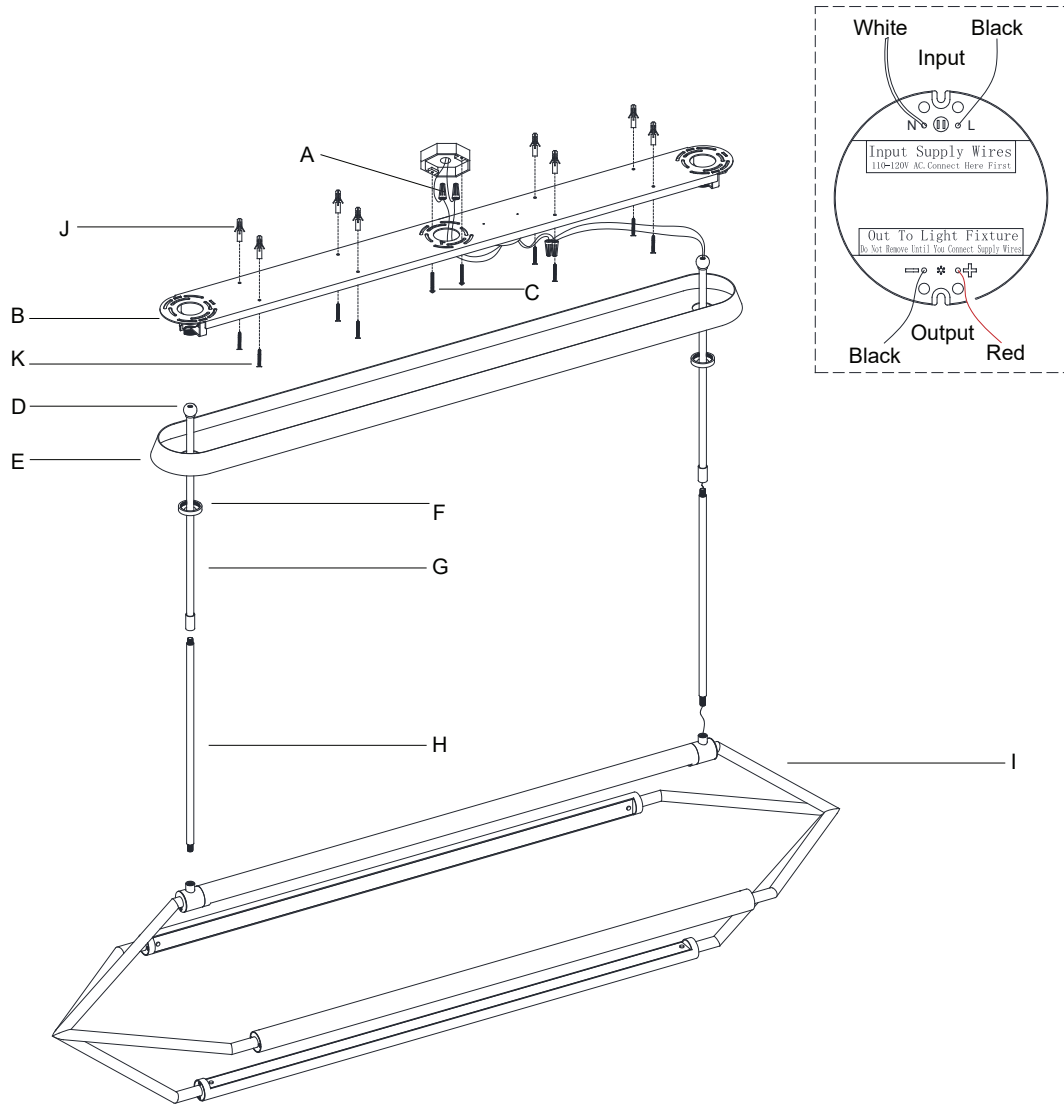
1. Carefully remove all parts from the box.
2. Remove the mounting plate (B) from the canopy (E) by unscrewing the collar ring (F).
3. Put the mounting plate (B) on the wall, mark the anchor holes position with pencil (not included). Drill holes on the wall and insert the anchors (J) into the holes.
4. Install the mounting plate (B) to the junction box and secure with the mounting screws (C), then secure the wood screws (K) into the anchors (J) and lock tight.
5. Wrap the junction box ground wire to the green ground screw on the mounting plate (B) and secure.

IT IS IMPERATIVE THAT THIS FIXTURE BE GROUNDED.

6. Feed the wires through the rod (H), collar ring (F), canopy (E) and rod (G).
7. Thread the rods (H) to the top opening of fixture body (I), then thread the rods (G) to the rods (H).
8. Hang the fixture swivel balls (D) to the mounting plate (B).
9. Measure the wires then cut, be certain to leave enough to connect to the wires in the junction box.
10. Strip the insulation on the wires about 5/8".
11. Connect the fixture black wire to the driver output black wire using the wire nut (A).
12. Connect the fixture red wire to the driver output red wire using the wire nut (A).
13. Connect the driver input white wire to the neutral wire in the junction box using the wire nut (A).
14. Connect the driver input black wire to the hot wire in the junction box using the wire nut (A).

DO NOT REVERSE THE HOT AND NEUTRAL CONNECTIONS OTHERWISE SAFETY WILL BE COMPROMISED.

## ASSEMBLY INSTRUCTIONS



### Appareil Large Linear Lantern

Item # KW5705

**WE RECOMMEND INSTALLATION OF THIS LIGHTING FIXTURE BE DONE BY A LICENSED ELECTRICIAN.**

**WARNING\*\*\*SWITCH OFF THE MAIN ELECTRICAL SUPPLY FROM THE MAIN FUSE BOX/CIRCUIT BREAKER BEFORE INSTALLATION.**

**INSPECT ITEM CAREFULLY BEFORE ATTEMPTING TO INSTALL. IF THERE IS ANY DAMAGE OR OBVIOUS DEFECT. DO NOT INSTALL.**

**ITEM MAY NOT BE RETURNED ONCE IT HAS BEEN INSTALLED.**

**NOTE: CAREFULLY UNPACK EACH PIECE IN TOP LAYER OF PACKING PRIOR TO REMOVING. RETAIN ALL PACKING MATERIAL UNTIL INSPECTION AND INSTALLATION ARE FINAL.**

15. Carefully tuck the wire connections into the junction box.
16. Install the canopy (E) to the mounting plate (B) and secure with the collar ring (F).
17. Installation is complete, turn on power at fuse or circuit breaker.

\*\*\*Clean with a dry, soft cloth only. Use no harsh abrasives or chemical agents.