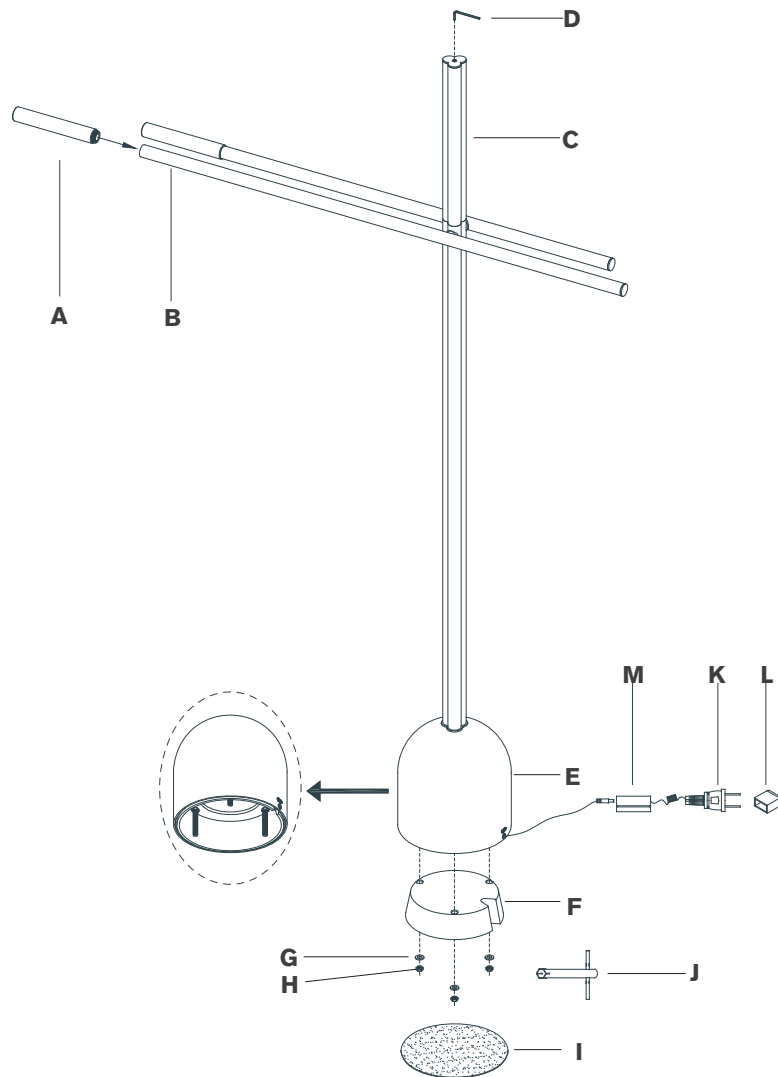


ASSEMBLY INSTRUCTIONS



Rousseau Double Boom Arm Floor Lamp

Item # KW 1585

NOTICE:

This light fixture should be installed in accordance with all applicable, local installation codes, and by a person familiar with the construction and operation of it, as well as the hazards involved. Inspect item and contents carefully. If any damage or defect is found, do not install. Retain all packaging material until installation is complete and approved.

1. Carefully remove all parts from the box. Place on a clean, soft surface.
2. Remove hex nuts (**H**) and washers (**G**) from bottom of base (**E**).
3. Insert base loader (**F**) into bottom opening of base (**E**) and secure with washers (**G**) and nuts (**H**). Tighten with provided wrench (**J**).
Note: Opening for cord on base loader (F) needs to be aligned with hole on base of lamp.
4. Remove adhesive backing from felt pad (**I**), and neatly apply to bottom of base.
5. Tighten set screw on top of stem (**C**) using allen wrench (**D**).
6. Screw crystal rods (**A**) on to the lamp arms.
Note: Do not over-tighten otherwise crystal could become damaged.
7. Stand lamp upright and rotate lamp arms (**B**) to desired position.
8. Plug lamp cord into side of dimmer switch (**M**).
9. Remove protective cover (**K**) from the plug (**L**).
10. Plug into electrical outlet and test fixture.

Dimmer switch operation:

- a. Push and release top of dimmer to turn on.
- b. Push and hold to adjust brightness. Release, push and hold again to adjust brightness in opposite direction.
- c. Push and release top of dimmer to turn off.

Care Instructions: Clean only with a soft dry cloth or feather duster. Do not use abrasive or chemical agents.