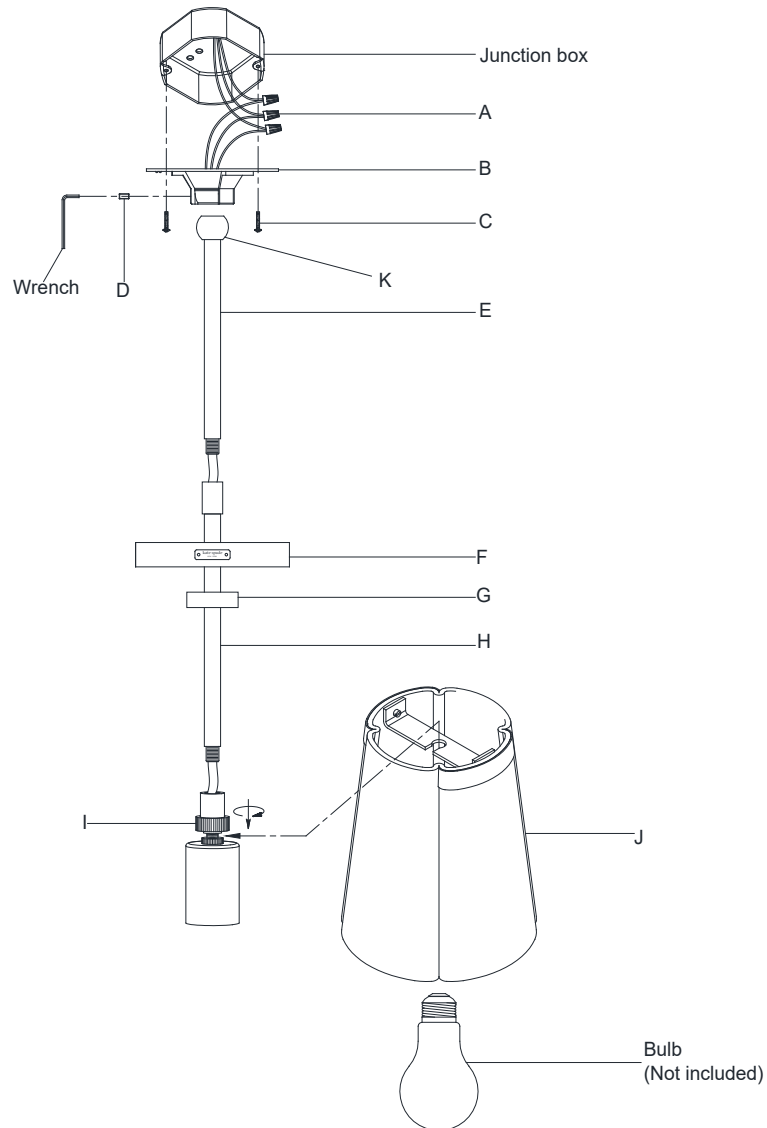


ASSEMBLY INSTRUCTIONS



Thoreau Single Pendant

Item # KS 5125

WE RECOMMEND INSTALLATION OF THIS LIGHTING FIXTURE BE DONE BY A LICENSED ELECTRICIAN.

WARNING*SWITCH OFF THE MAIN ELECTRICAL SUPPLY FROM THE MAIN FUSE BOX/CIRCUIT BREAKER BEFORE INSTALLATION.**

INSPECT ITEM CAREFULLY BEFORE ATTEMPTING TO INSTALL. IF THERE IS ANY DAMAGE OR OBVIOUS DEFECT. DO NOT INSTALL.

ITEM MAY NOT BE RETURNED ONCE IT HAS BEEN INSTALLED.

NOTE: CAREFULLY UNPACK EACH PIECE IN TOP LAYER OF PACKING PRIOR TO REMOVING. RETAIN ALL PACKING MATERIAL UNTIL INSPECTION AND INSTALLATION ARE FINAL.

1. Carefully remove all parts from the box.
2. Install the mounting plate (B) to the junction box by the mounting screws (C) provided.
3. Feed the fixture wires pass through the rod (H), then thread the rod (H) to the top of the socket cup.
4. Feed the fixture wires pass through the collar ring (G), canopy (F) and rod (E), then thread the rod (E) to the rod (H).
5. Hang the fixture swivel ball (K) to the center of the mounting plate (B) and secure with the set screw (D) using the wrench provided.
6. Connect the fixture ground wire to the ground wire in the junction box using the wire nut (A). IT IS IMPERATIVE THAT THIS FIXTURE BE GROUNDED.
7. Connect the fixture ribbed wire (no markings) to the neutral wire in the junction box using the wire nut (A).
8. Connect the fixture smooth wire (with markings) to the hot wire in the junction box using the wire nut (A).
DO NOT REVERSE THE HOT AND NEUTRAL CONNECTIONS OTHERWISE SAFETY WILL BE COMPROMISED.
9. Tuck these wire connections neatly into the junction box carefully.
10. Install the canopy (F) to the mounting plate (B) and secure with the collar ring (G).
11. Attach the glass shade (J) to the top of the socket cup and secure with the check ring (L).
12. Insert bulb (not included) into the socket.
13. Installation is complete, turn on power at fuse or circuit breaker.

***Clean with a dry, soft cloth only. Use no harsh abrasives or chemical agents.



VISUAL COMFORT & Co.