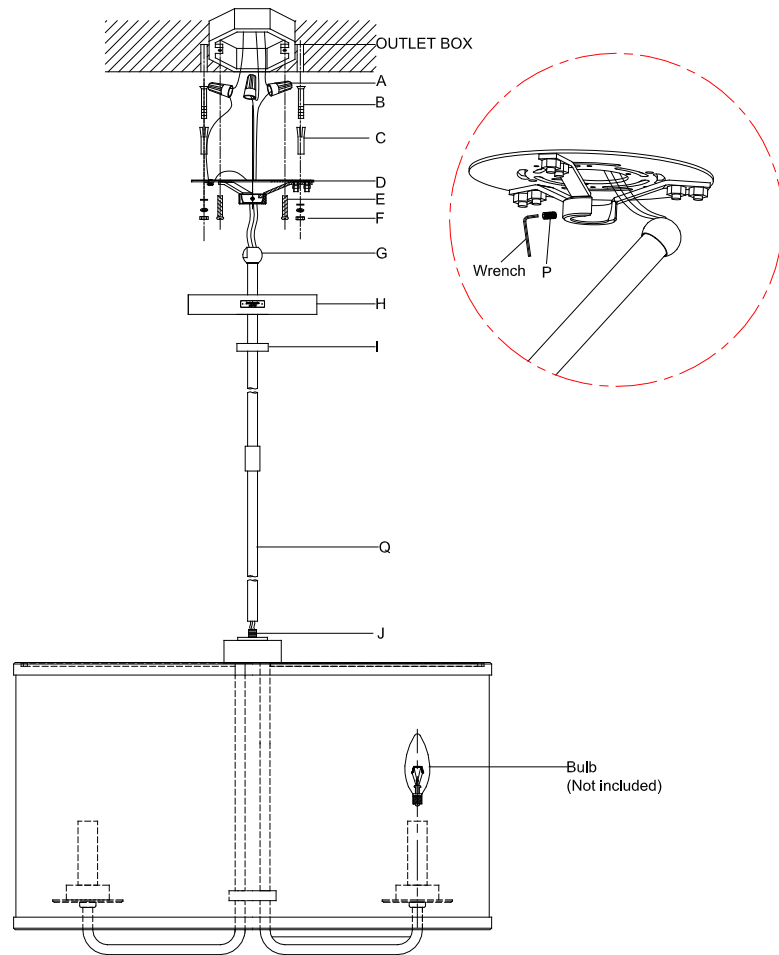


# ASSEMBLY INSTRUCTIONS



## Larabee Dot Medium Hanging Shade

Item # KS 5027

**WE RECOMMEND INSTALLATION OF THIS LIGHTING FIXTURE BE DONE BY A LICENSED ELECTRICIAN.**

**WARNING\*\*\*SWITCH OFF THE MAIN ELECTRICAL SUPPLY FROM THE MAIN FUSE BOX/CIRCUIT BREAKER BEFORE INSTALLATION.**

**INSPECT ITEM CAREFULLY BEFORE ATTEMPTING TO INSTALL. IF THERE IS ANY DAMAGE OR OBVIOUS DEFECT. DO NOT INSTALL.**

**ITEM MAY NOT BE RETURNED ONCE IT HAS BEEN INSTALLED.**

**NOTE: CAREFULLY UNPACK EACH PIECE IN TOP LAYER OF PACKING PRIOR TO REMOVING. RETAIN ALL PACKING MATERIAL UNTIL INSPECTION AND INSTALLATION ARE FINAL.**

1. Carefully remove all parts from the box.
2. Drill 2 holes on the ceiling and make sure the distance will match to the holes in the mounting plate (D) exactly.
3. Knock the expansion pipes (C) and screws (B) onto the ceiling holes and make sure they are flat.
4. Affix mounting plate (D) onto the outlet box and secure with mounting screws (E) and nuts (F).
5. Let canopy (H) and lock collar (I) go through the pipe (Q).
6. Thread pipe (Q) to the thread nipple (J).
7. Hang the connector ball (G) to the center of mounting plate (D) and secure with set screws (P) by wrench.
8. Cut the cord and ground wire about 10" length beyond the canopy.
9. Attach the Ground wire from the fixture (green or bare copper) to the ground wire from the outlet box with plastic wire connector (A).  
IT IS IMPERATIVE THAT THIS FIXTURE BE GROUNDED.
10. Connect the Hot wire from the fixture (smooth edge, markings) to the hot wire from the outlet box. Fasten them together with a plastic wire connector (A).
11. Repeat this procedure for the Neutral wire from the fixture (ribbed, no markings) to the neutral wire from the outlet box.  
DO NOT REVERSE THE HOT AND NEUTRAL CONNECTIONS OR SAFETY WILL BE COMPROMISED.
12. Twist the wire connections neatly into the outlet box.
13. Attach canopy (H) to mounting plate (D), and secure with lock collar (I).
14. Insert bulbs (not included) into the sockets.
15. Installation is complete, turn on power at fuse or circuit breaker.

